

GENIE

S C I E N T I F I C

GFLEX Laboratory Work Stations



Genie Scientific G FLEX Heavy Duty Workstations

The GFLEX HD Series of workstations are a heavy-duty modular lab workstation fabricated from heavy gauge sheet metal and tube steel with a powder coat finish.

Standard Features and Options:

- Available in Single- or Double-Sided Configurations
- Available in standards sizes from 3' to 6' (Custom Sizes Available)
- Adjustable Height Frames
- Adjustable Height Steel Shelving Available in (3) Depths
- Options for Integrated power, data, and plumbing for connection to ceiling service panels
- Available in all standard Genie colors and with all available counter top options
- Pair with Genie mobile steel cabinets for additional under counter storage
- Classification= SEFA-10, Adaptable Casework System Class 7 Free Standing Workstation

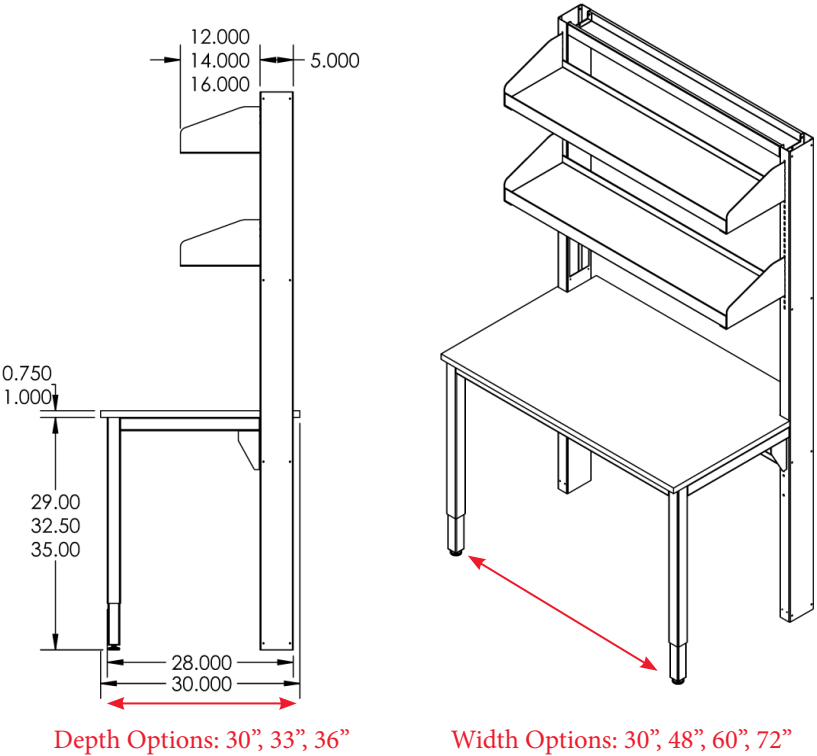
Weight Capacity:

- Worksurface = SEFA-10 Category 3 - 1,000 pounds*
- Shelves = Live Load Not to Exceed 200 pounds*
- *The workstation is designed to support these loads. However, from a common sense and safety perspective we never recommend loading anything to maximum capacity.



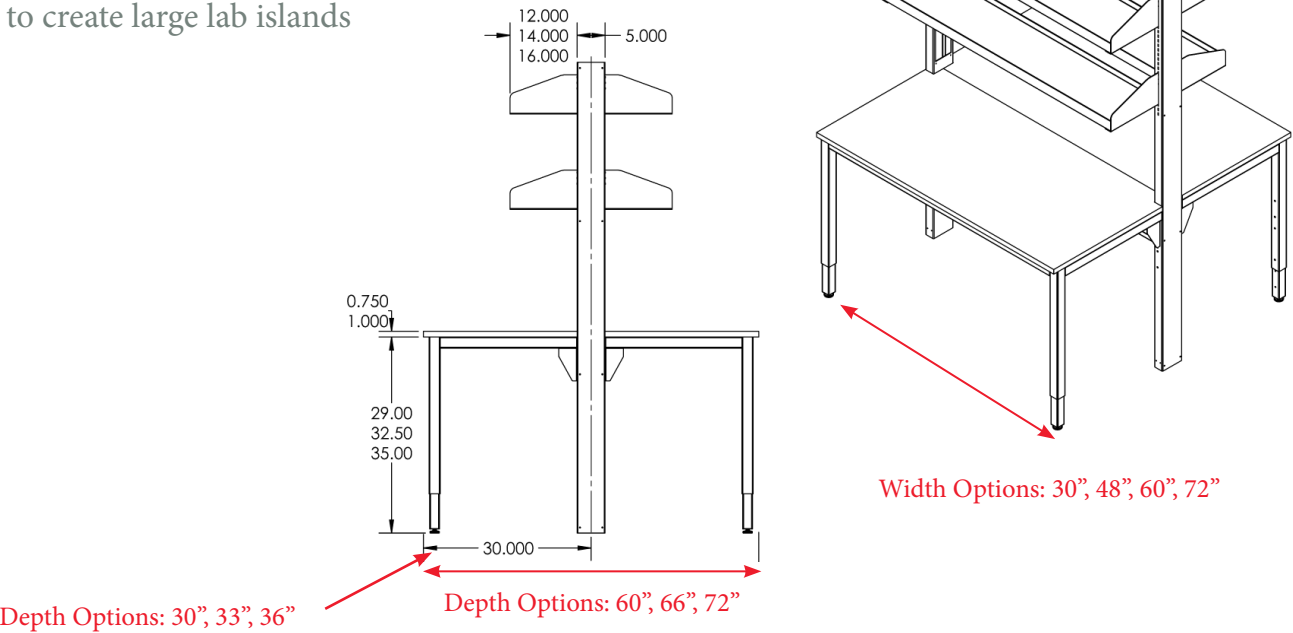
Single Sided:

- Ideal for use against walls
- Single Sided units be installed “back-to-back” to create large lab islands
- In this configuration customers can get a greater the amount of power outlets compared to double sided

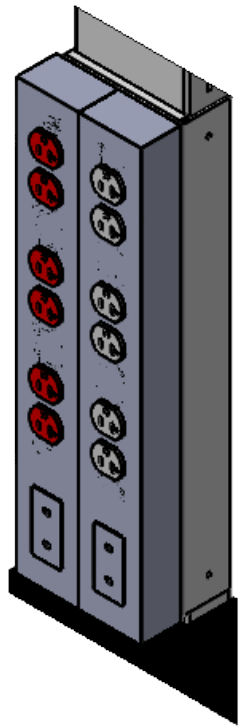


Double Sided:

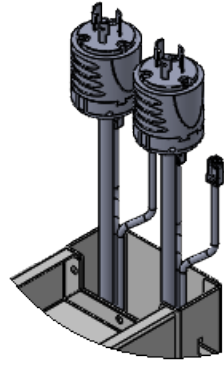
- Double-Sided workstations consist of a single vertical upright with two separate worksurface frames
- Used to create large lab islands



DETAIL A
SCALE 1 : 6



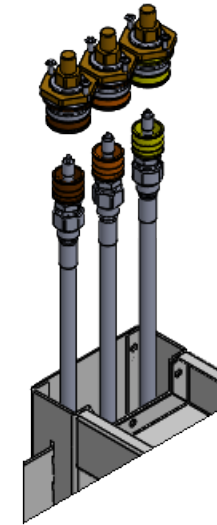
DETAIL
SCALE 1 : 6



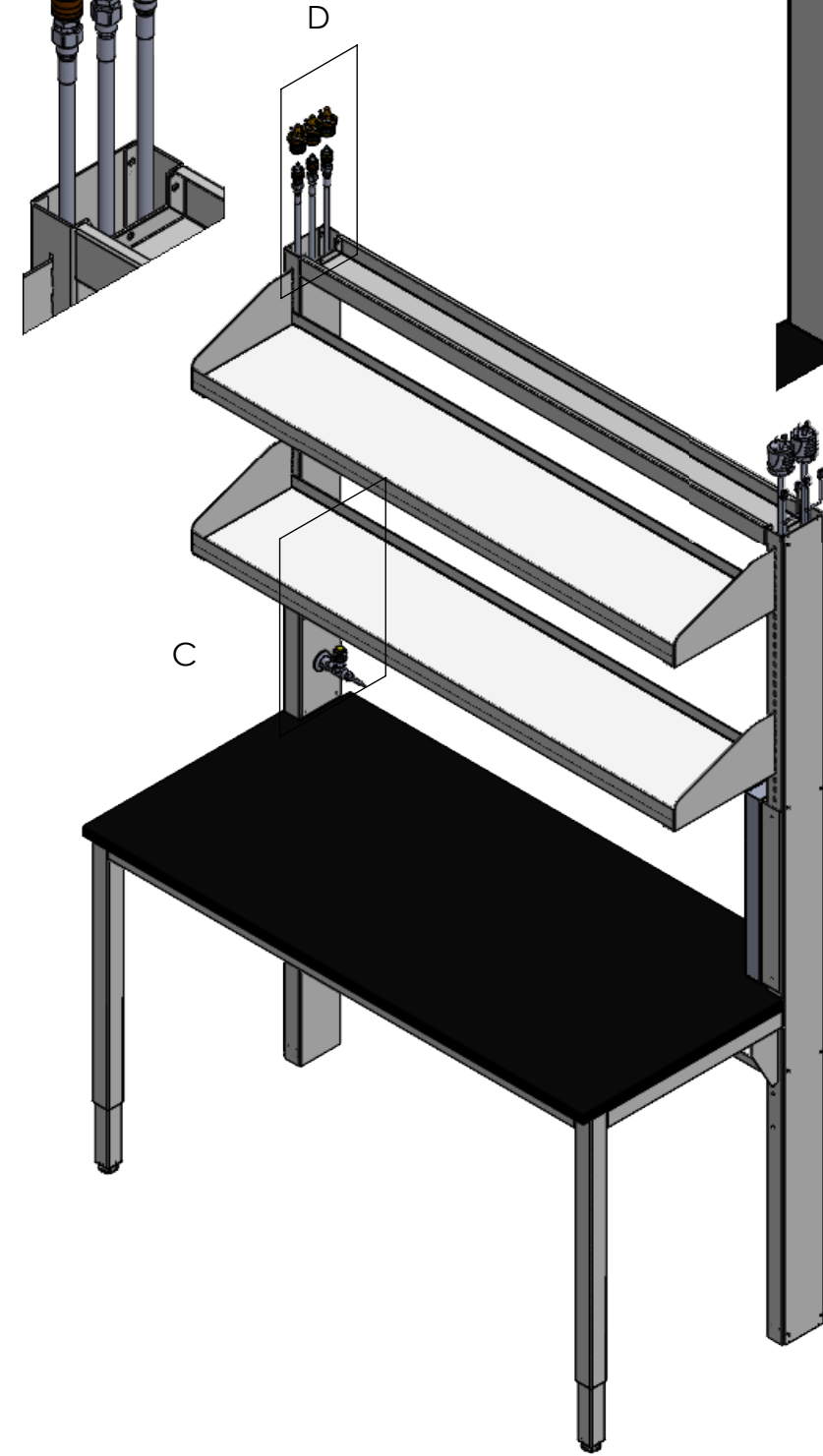
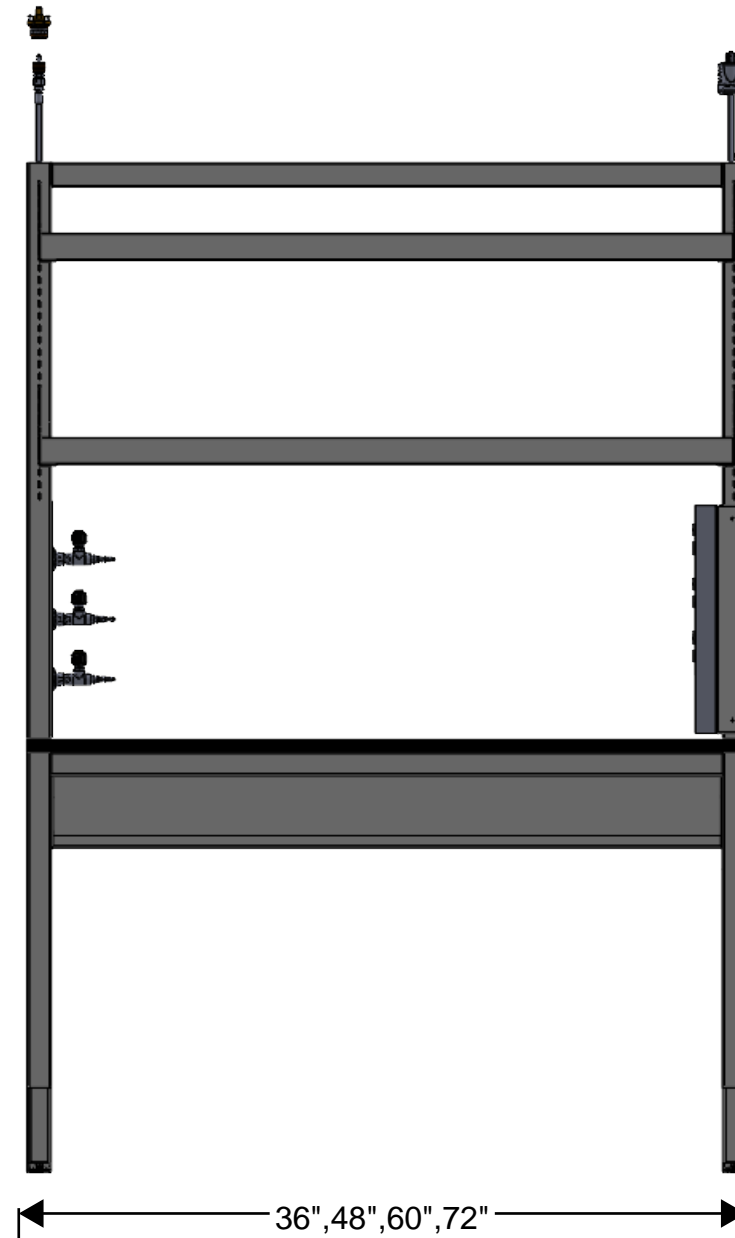
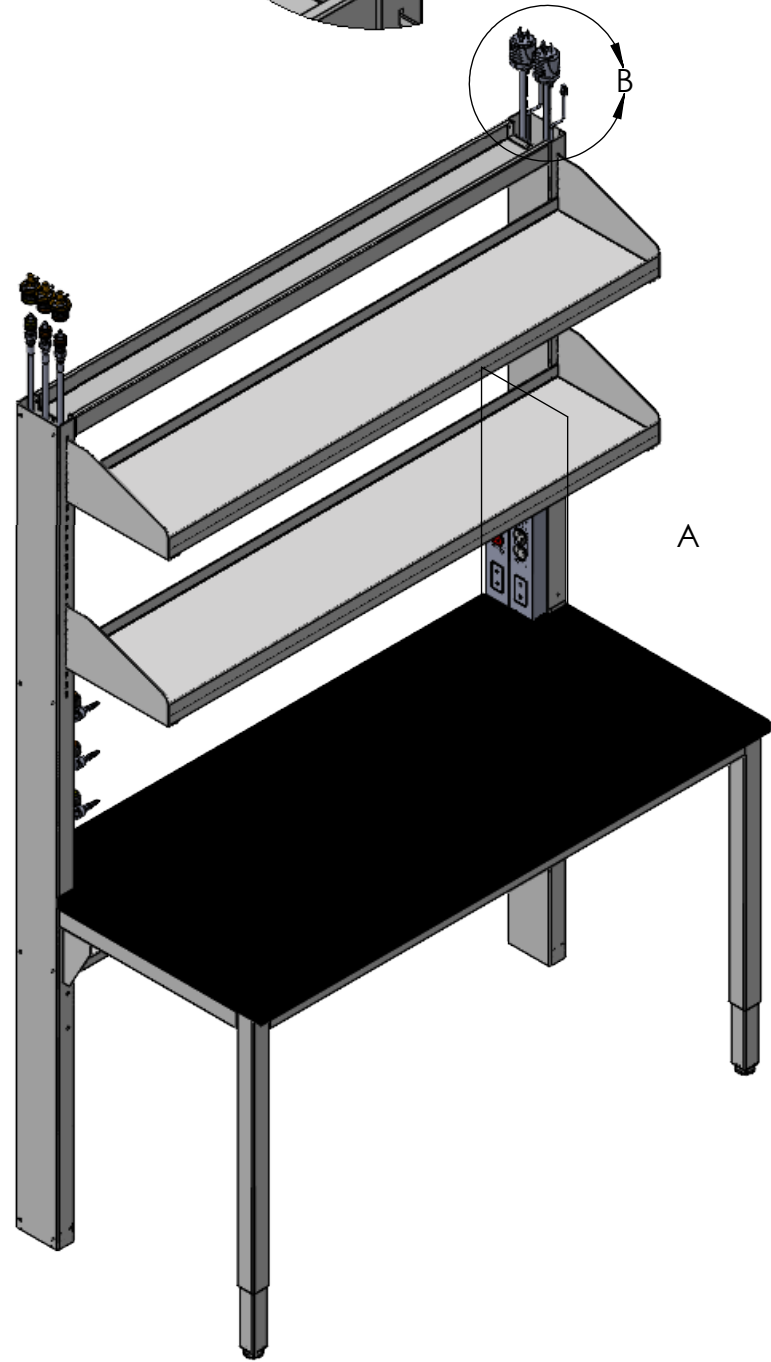
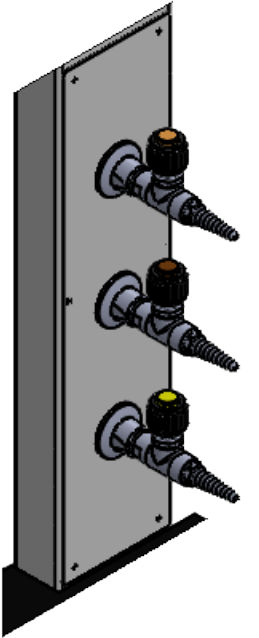
GENIE SCIENTIFIC GFLEX WORKSTATION
SINGLE SIDED
ADJUSTABLE HEIGHT WORKTOPS
1,000LB WORKTOP CAPACITY
200LB TOTAL SHELF CAPACITY
OPTIONS FOR INTEGRATED POWER, DATA, PLUMBING

STANDARD WIDTHS: 36",48",60",72"
STANDARD DEPTHS: 30", 33",36"

DETAIL D
SCALE 1 : 6



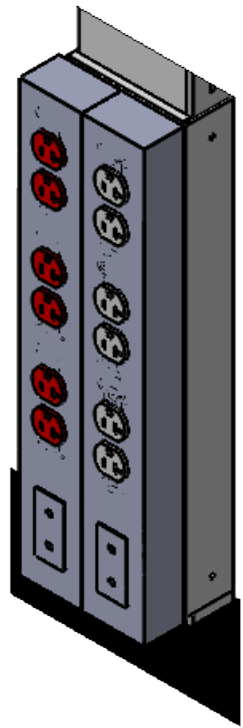
DETAIL C
SCALE 1 : 6



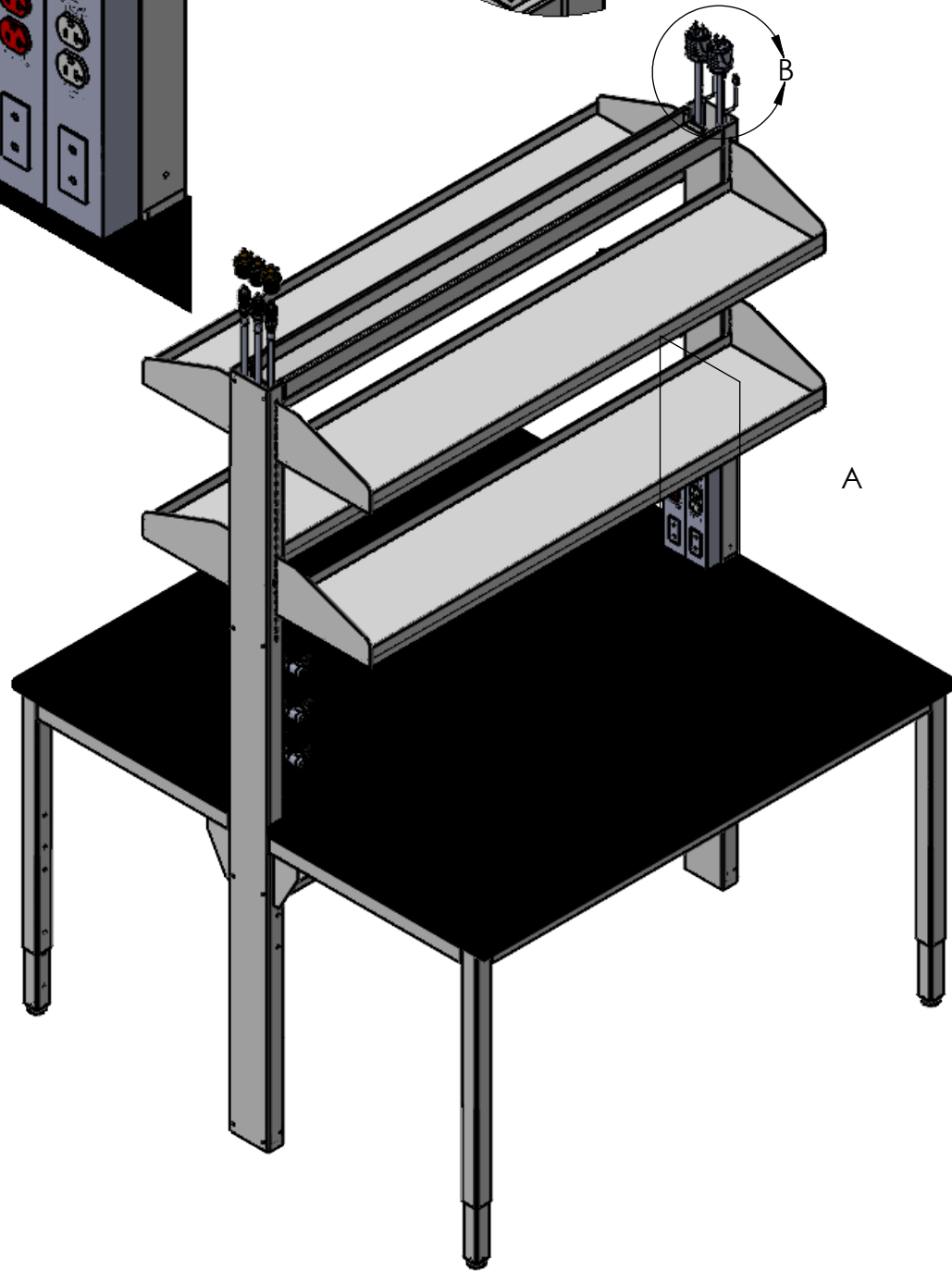
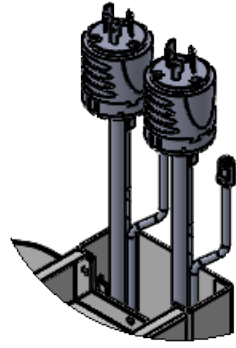
PART NUMBER	DESCRIPTION	REV	DATE	DRAWN	MATERIAL AND FINISH
GHD_S_XXYY_A_SALES	GFLEX HEAVY DUTY, WORK STATION: SINGLE SIDED, ADJUSTABLE, COMPLETE WORKSTATION	-	CREATED: 4/19/2023 MODIFIED: 8/4/2023	J.MCRAE SCALE: 1:16 SHEET 1 OF 1	12 GA. CRS 2.00" SQUARE POWDER COAT: PER JOB



DETAIL A
SCALE 1 : 6



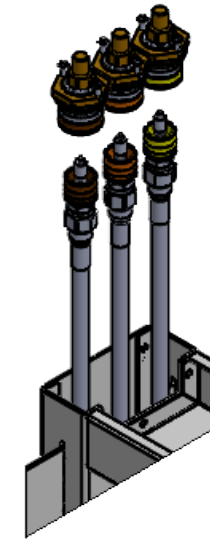
DETAIL
SCALE 1 : 6



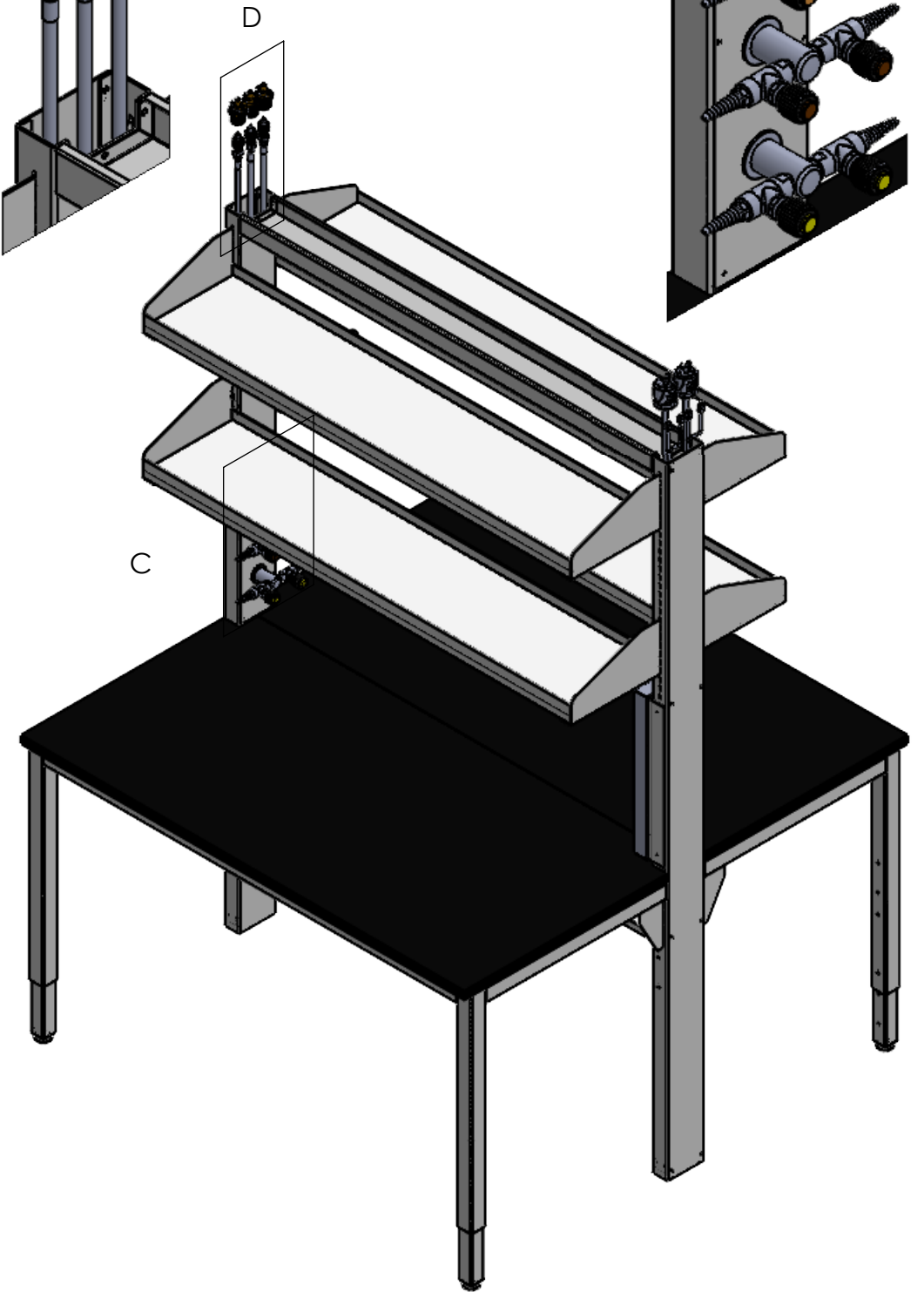
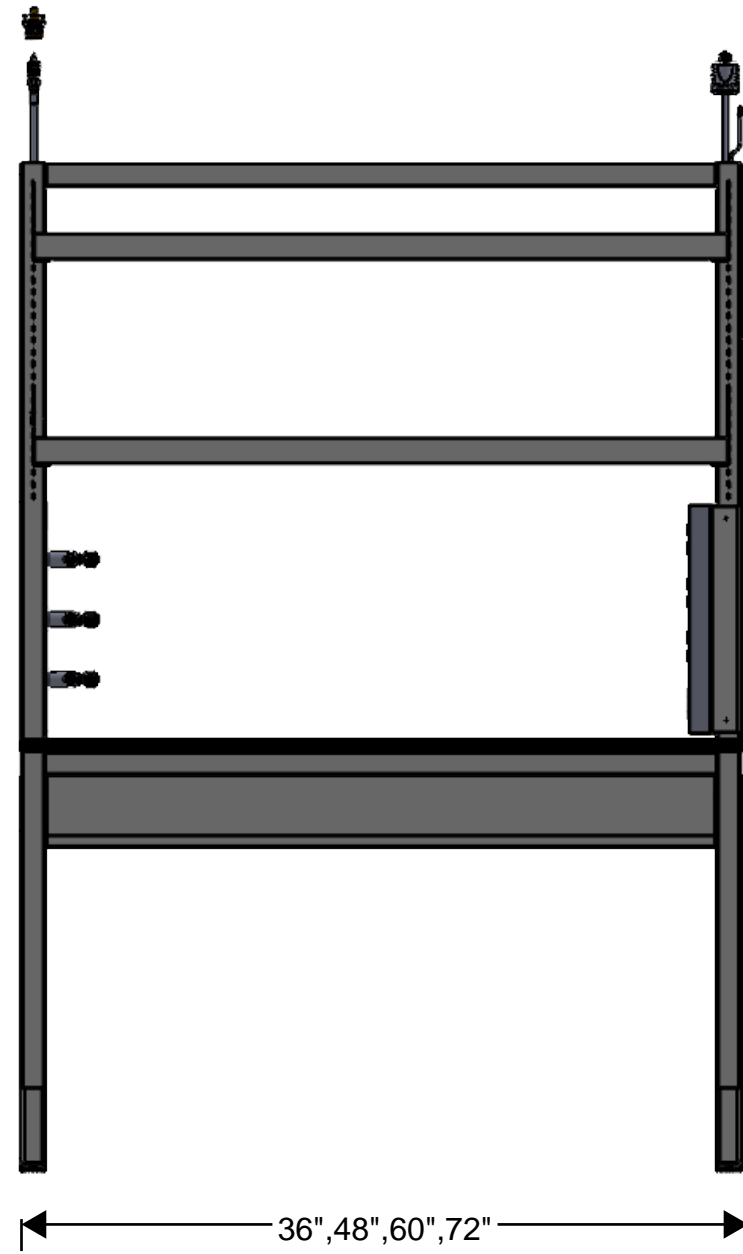
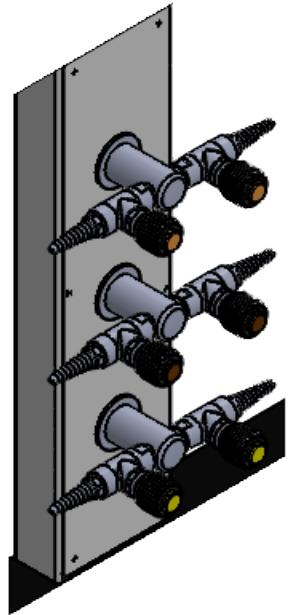
GENIE SCIENTIFIC GFLEX WORKSTATION
DOUBLE SIDED
ADJUSTABLE HEIGHT WORKTOPS (EACH SIDE)
1,000LB WORKTOP CAPACITY
200LB TOTAL SHELF CAPACITY
OPTIONS FOR INTEGRATED POWER, DATA, PLUMBING

STANDARD WIDTHS: 36",48",60",72"
STANDARD DEPTHS: 60", 66",72"

DETAIL D
SCALE 1 : 6



DETAIL C
SCALE 1 : 6



PART NUMBER
GHD_D_XXYY_A_SALES

DESCRIPTION
GFLEX HEAVY DUTY, WORK STATION: DUAL SIDED, ADJUSTABLE, COMPLETE WORKSTATION

REV
-

DATE
CREATED: 4/19/2023
MODIFIED: 8/4/2023

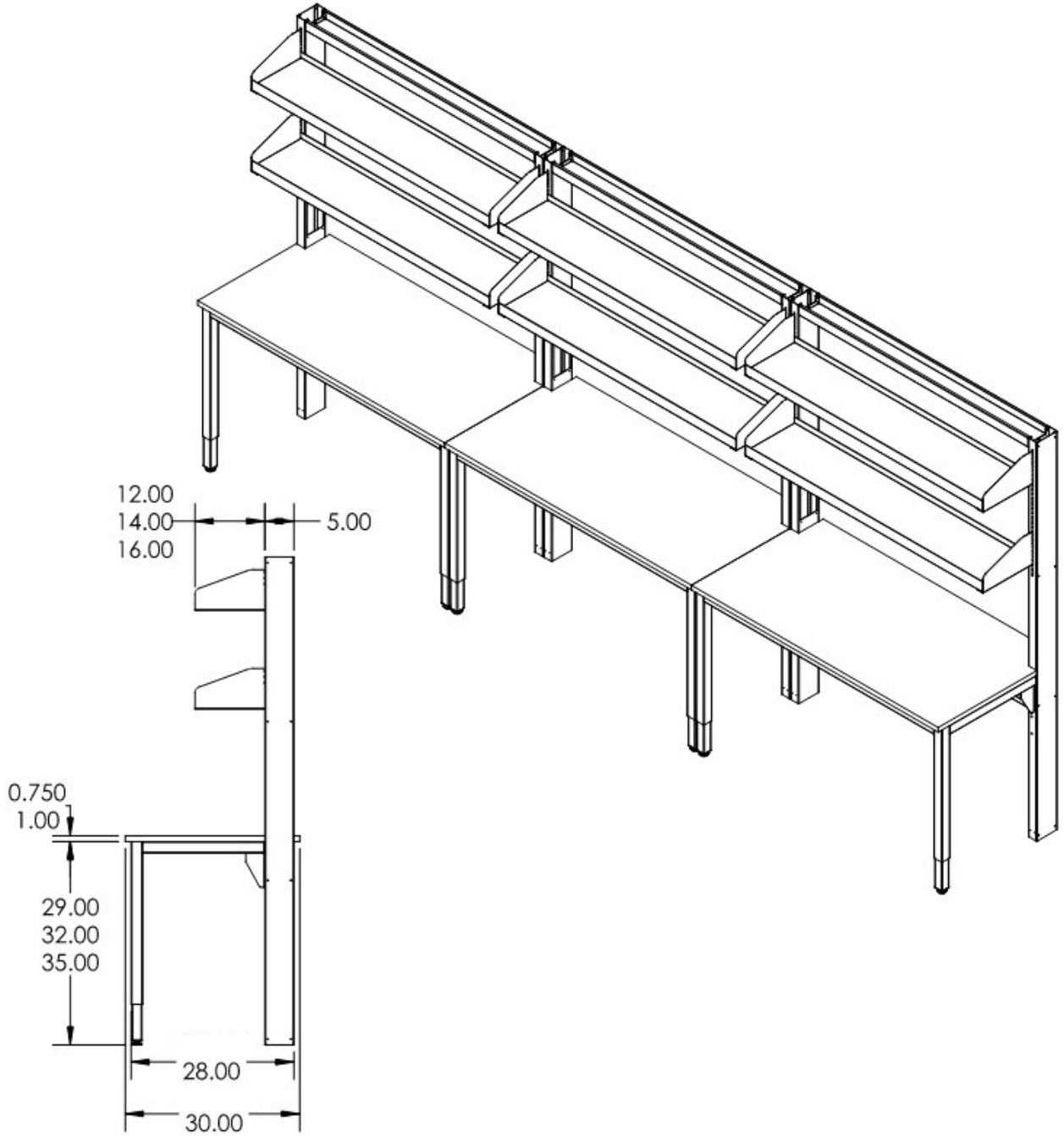
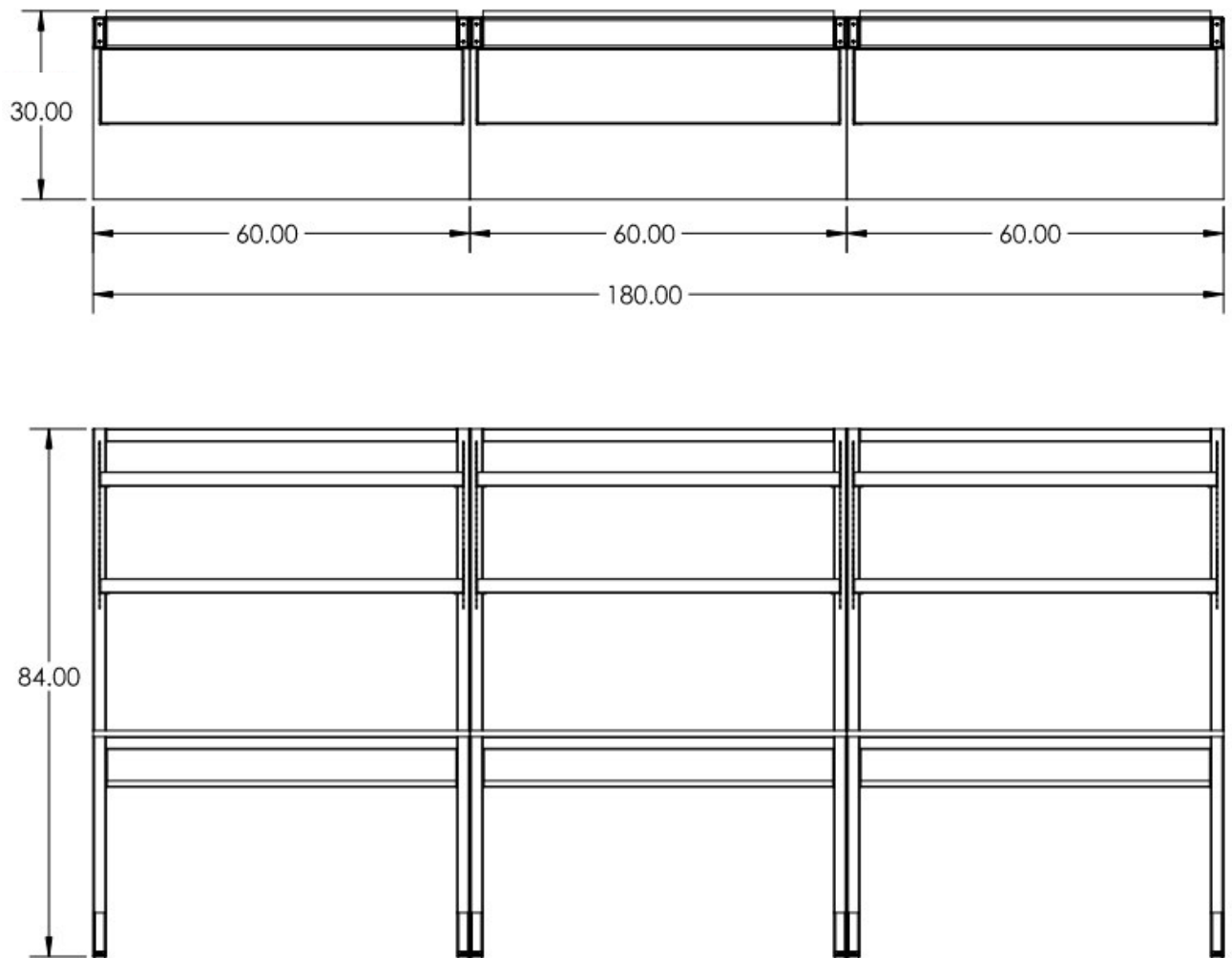
DRAWN
J.MCRAE
SCALE: 1:16
SHEET 1 OF 1

MATERIAL AND FINISH
12 GA. CRS - POWDER COAT: PER JOB
2.00" SQUARE -



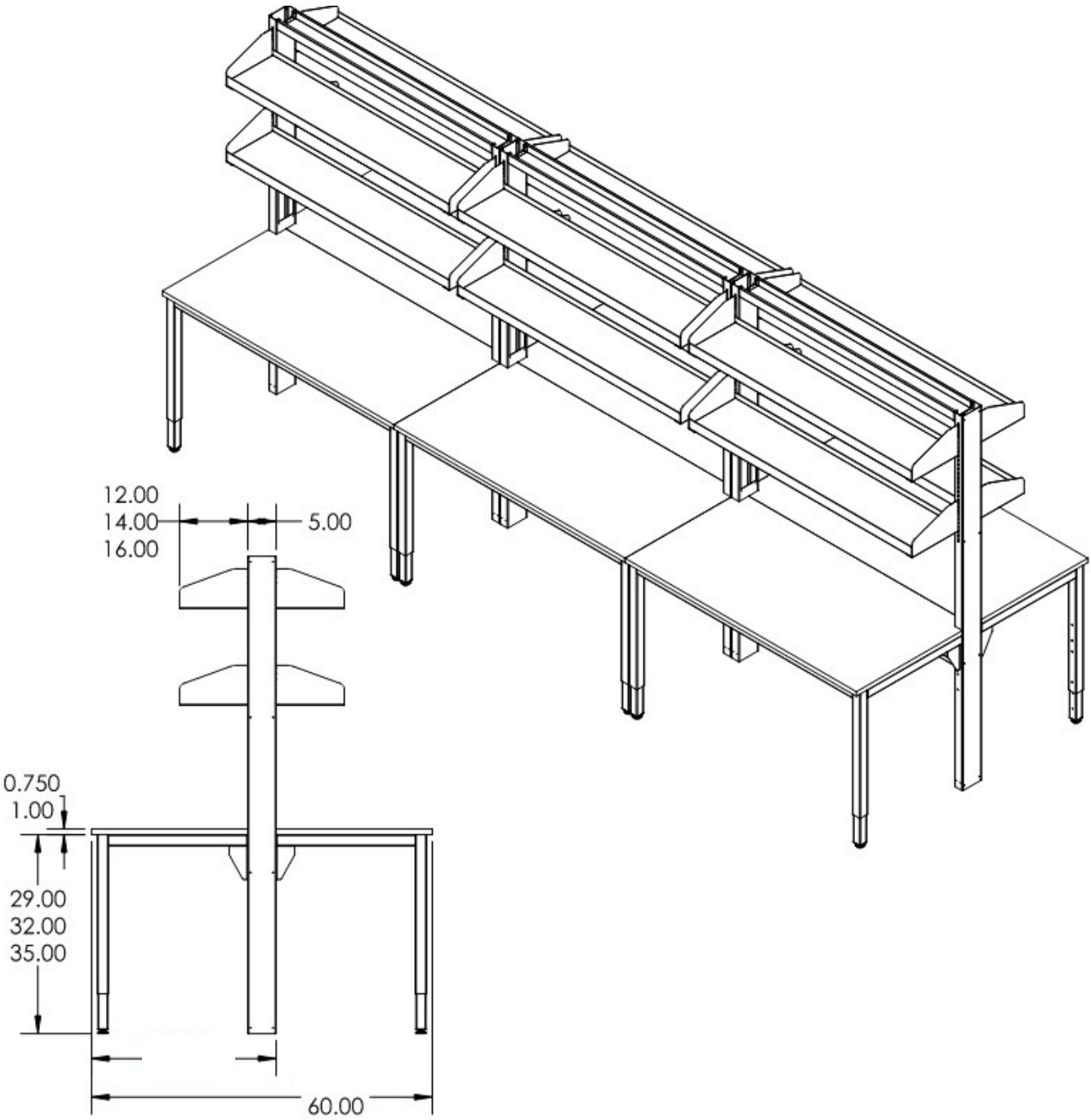
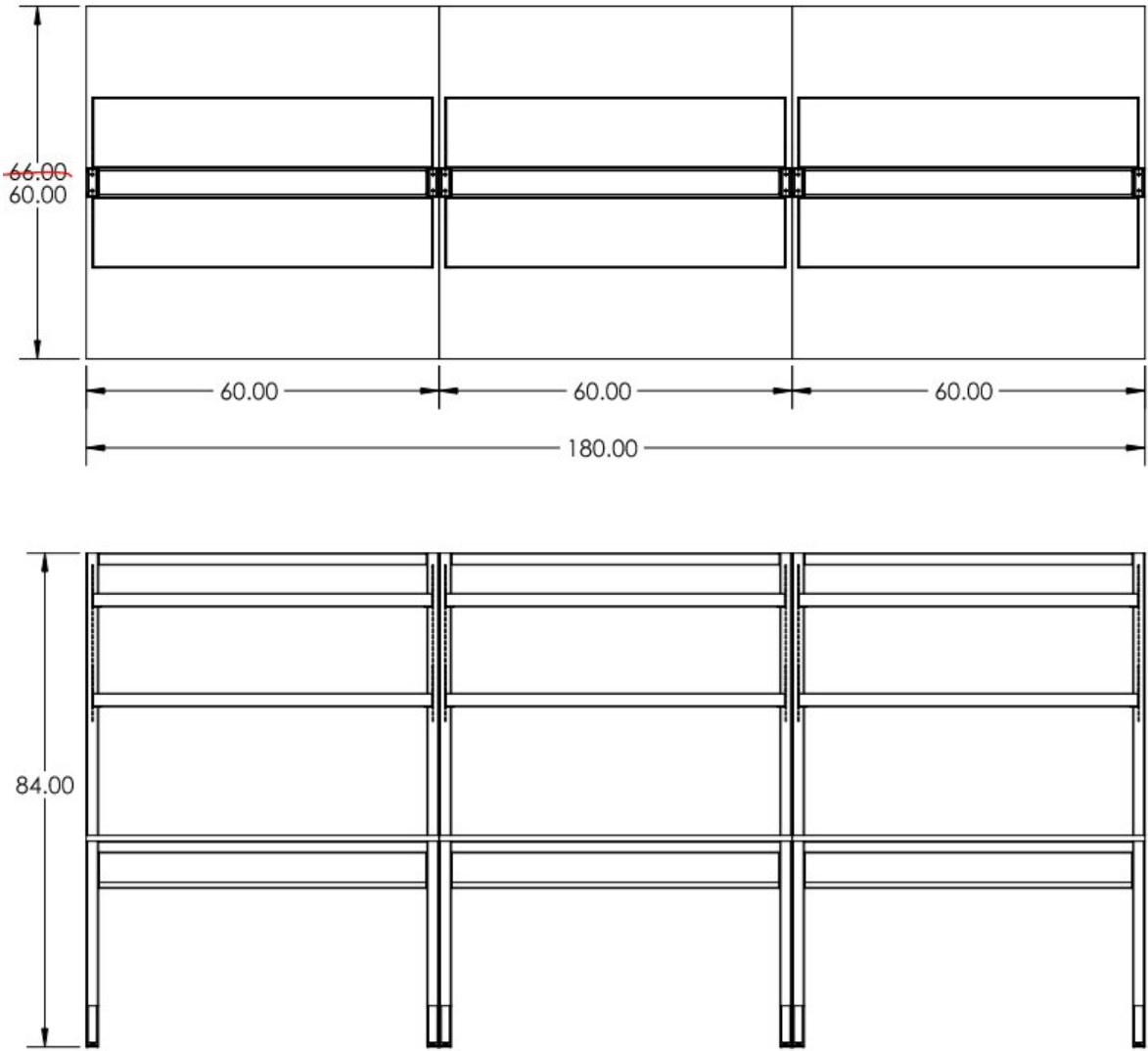
GFLEX Heavy Duty Workstation

Install Example:
Grouping of (3) 60" W Single Sided Units to create an island



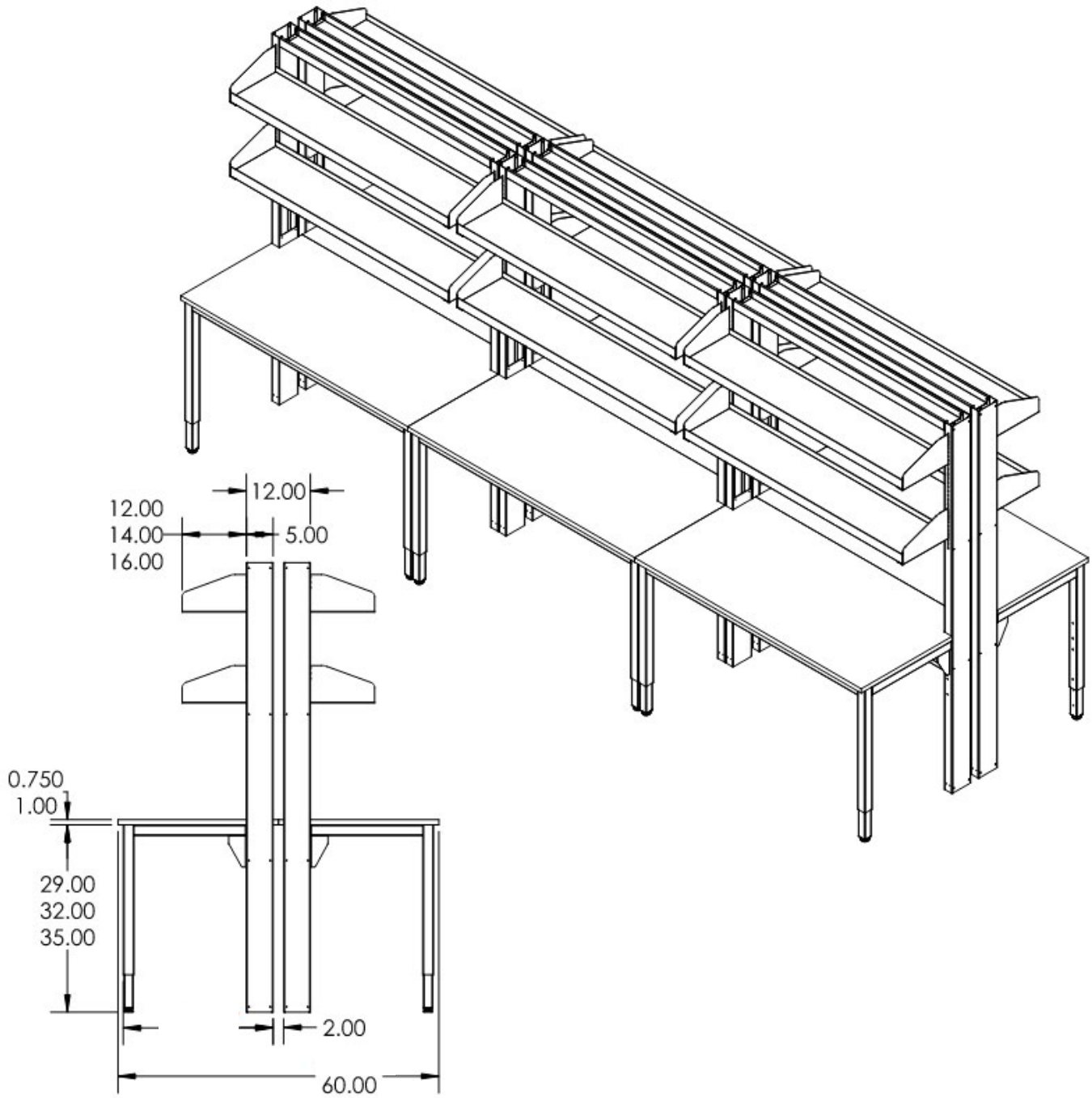
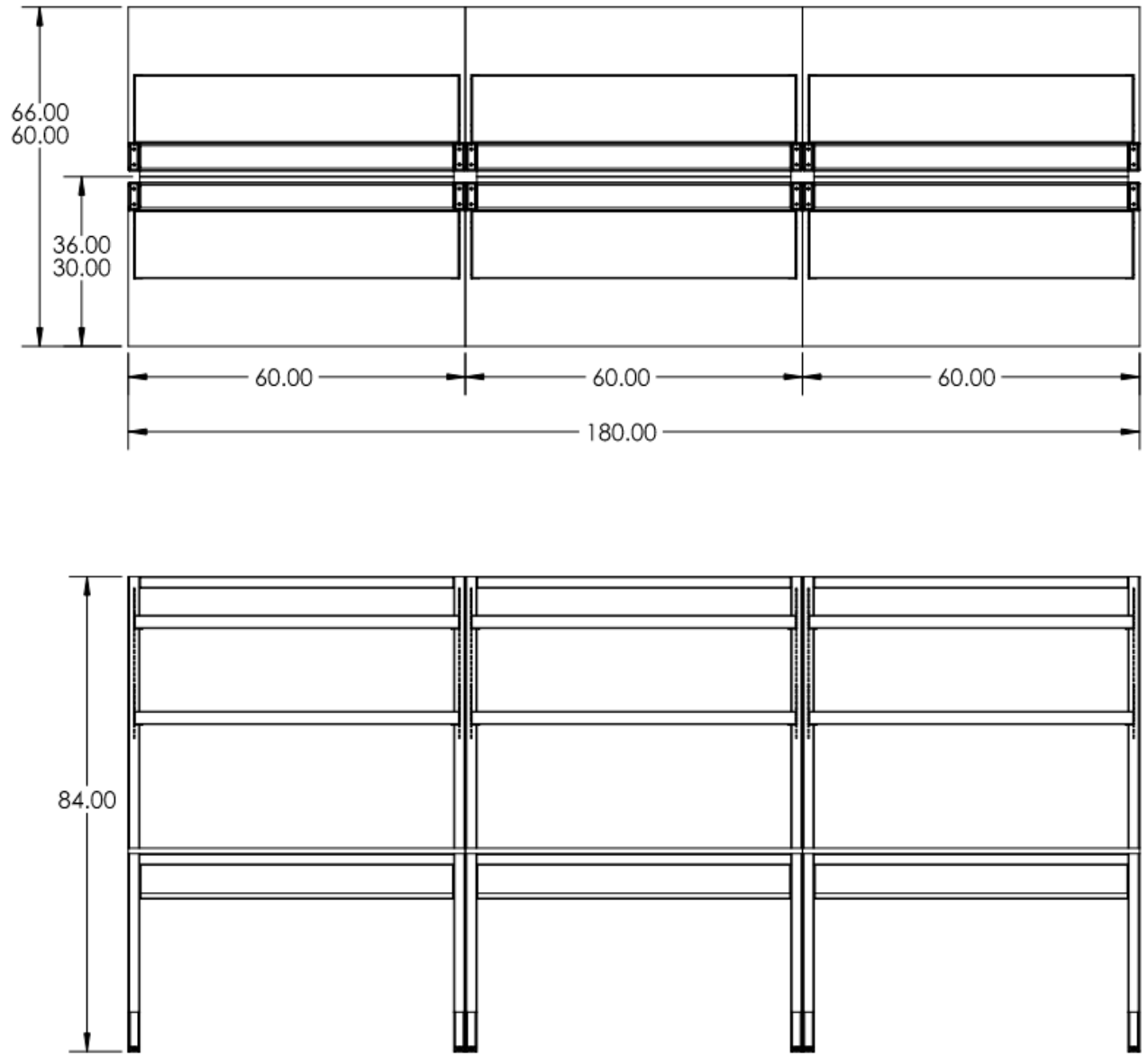
GFLEX Heavy Duty Workstation

Install Example:
Grouping of (3) 60"W Double Sided Units to create an island



GFLEX Heavy Duty Workstation

Install Example:
Grouping of (3) 60" W Single Sided Units installed back-to-back to create an island



Power Distribution Units:

- Power Connections can be integrated into GFLEX Workstations
- Additional Options and Customization Available

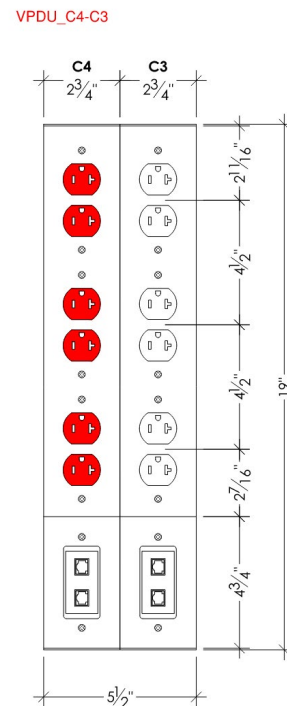
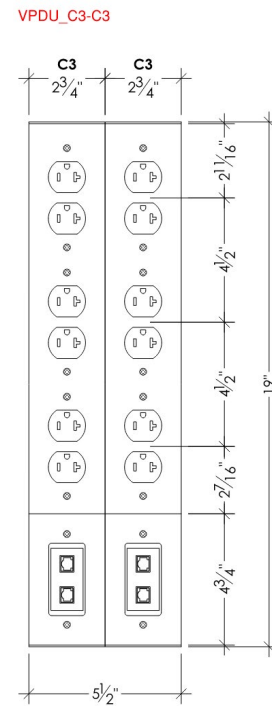
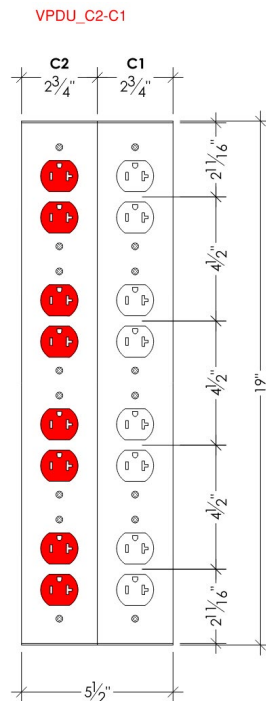
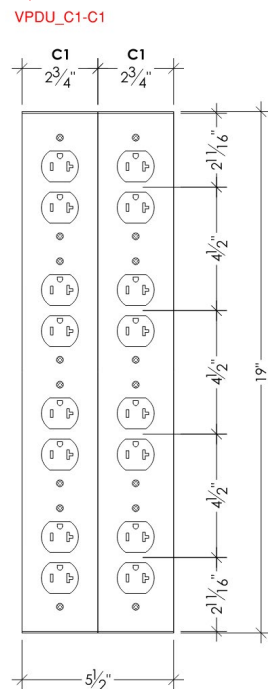
Vertically Orientated PDUs (VPDUs)

- Dual Channel PDU mounted vertically to workstation upright
- Allows for open access to full depth of workstation counter top
 - Great for larger pieces of equipment/instruments
- ETL Listed to UL 962A
- Each Channel is pre-wired with its own separate L5-20R Twist Lock Plug
 - This requires (2) TWO Separate NEMA L5-20R Receptacles in a Ceiling Service Panel to energize the PDU
- Select each channel configuration from our (4) standard model

VPDU-C1:

- QTY (4) 120V-20A NEMA 5-20R Duplex Outlets
 - Duplex Color = White
 - Wired for (1) ONE Circuit
- Prewired to a 15' White Power Cord with a NEMA L5-20P Twist Lock Plug
 - Plug mates with a NEMA L5-20R Receptacle in a Ceiling Service Panel*

C1, C1, Combination
(VPDU_C1-C1)



VPDU-C2:

- QTY (4) 120V-20A NEMA 5-20R Duplex Outlets
 - Duplex Color = RED, For EMERGENCY POWER
 - Wired for (1) ONE Circuit
- Prewired to a 15' White Power Cord with a NEMA L5-20P Twist Lock Plug
 - E-Power Cord to Have RED Color-Coded End
 - Plug mates with a NEMA L5-20R Receptacle in a Ceiling Service Panel*

VPDU-C3:

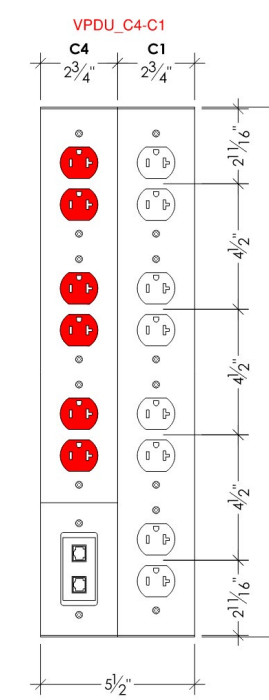
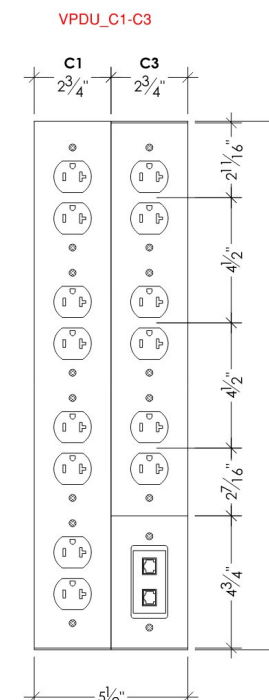
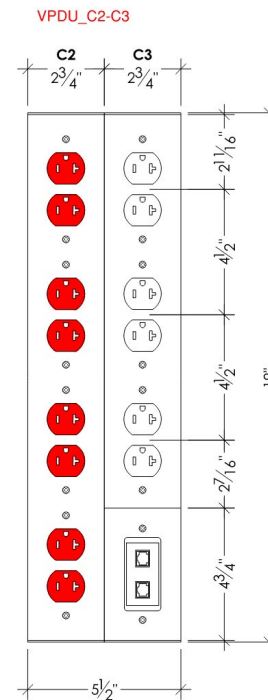
- QTY (3) 120V-20A NEMA 5-20R Duplex Outlets
 - Duplex Color = White
 - Wired for (1) ONE Circuit
- Prewired to a 15' White Power Cord with a NEMA L5-20P Twist Lock Plug
 - Plug mates with a NEMA L5-20R Receptacle in a Ceiling Service Panel*
- QTY (1) 2-Port Data Holder with White CAT6 Jacks
 - Prewired with TWO (2) 15' White CAT6 Patch Cables
 - Mates to CAT6 Jacks in Ceiling Service Panel*

VPDU-C4:

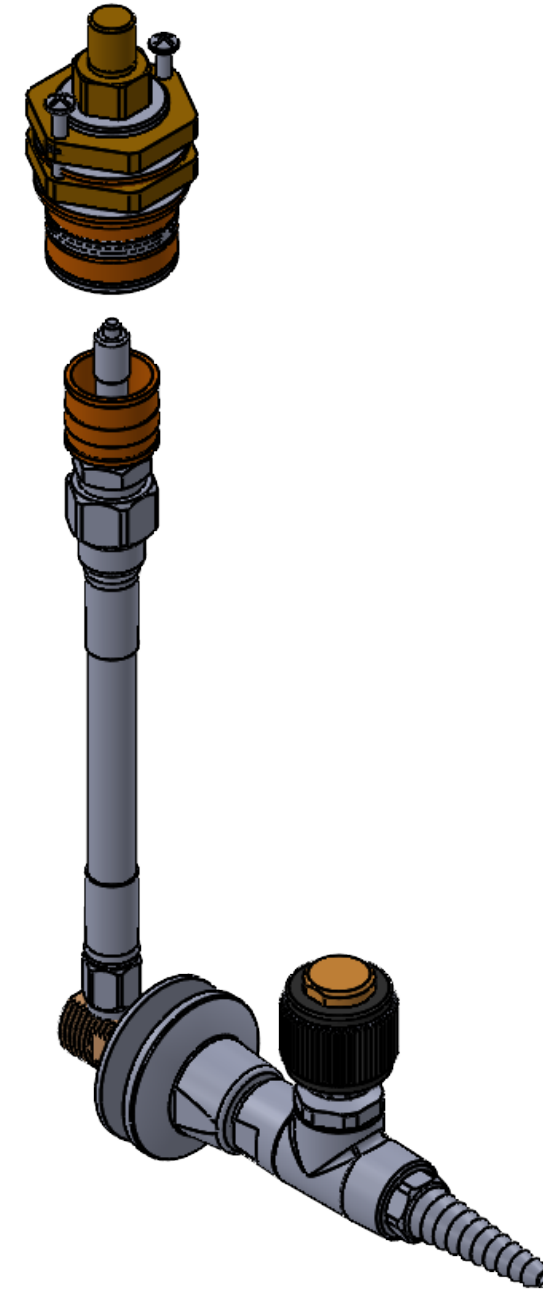
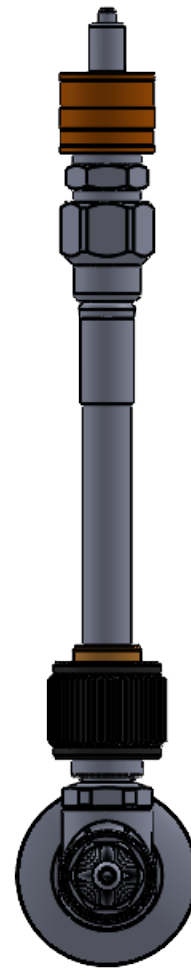
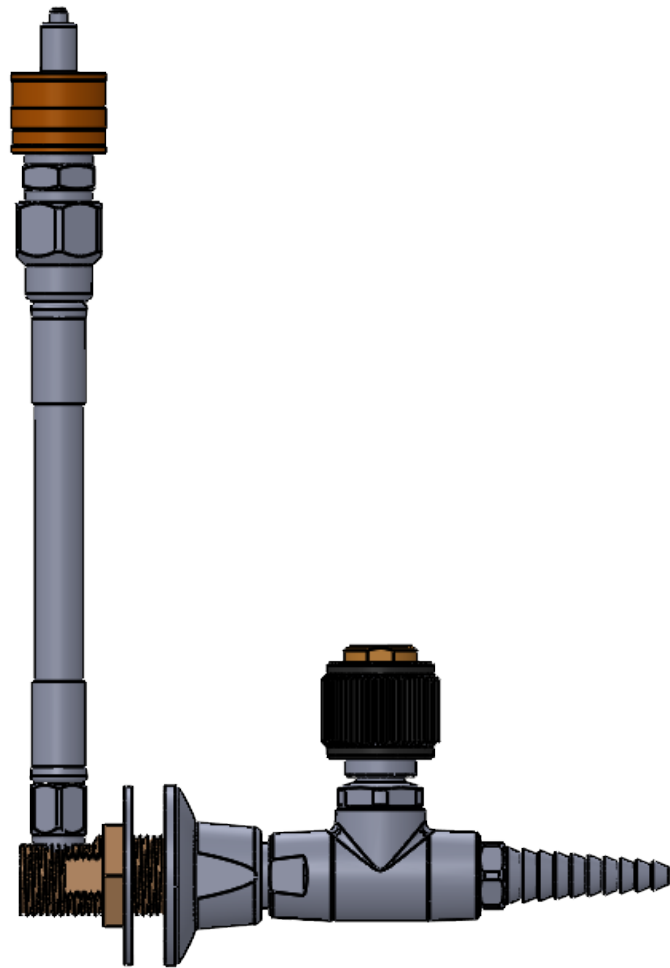
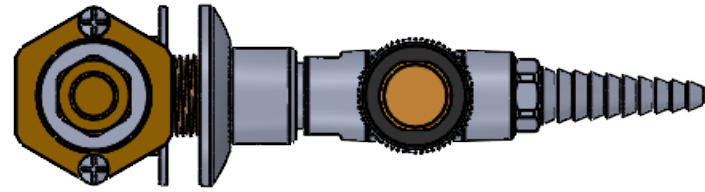
- QTY (3) 120V-20A NEMA 5-20R Duplex Outlets
 - Duplex Color = RED, For EMERGENCY POWER
 - Wired for (1) ONE Circuit
- Prewired to a 15' White Power Cord with a NEMA L5-20P Twist Lock Plug
 - E-Power Cord to Have RED Color-Coded End
 - Plug mates with a NEMA L5-20R Receptacle in a Ceiling Service Panel*
- QTY (1) 2-Port Data Holder with White CAT6 Jacks
 - Prewired with TWO (2) 15' White CAT6 Patch Cables
 - Mates to CAT6 Jacks in Ceiling Service Panel*




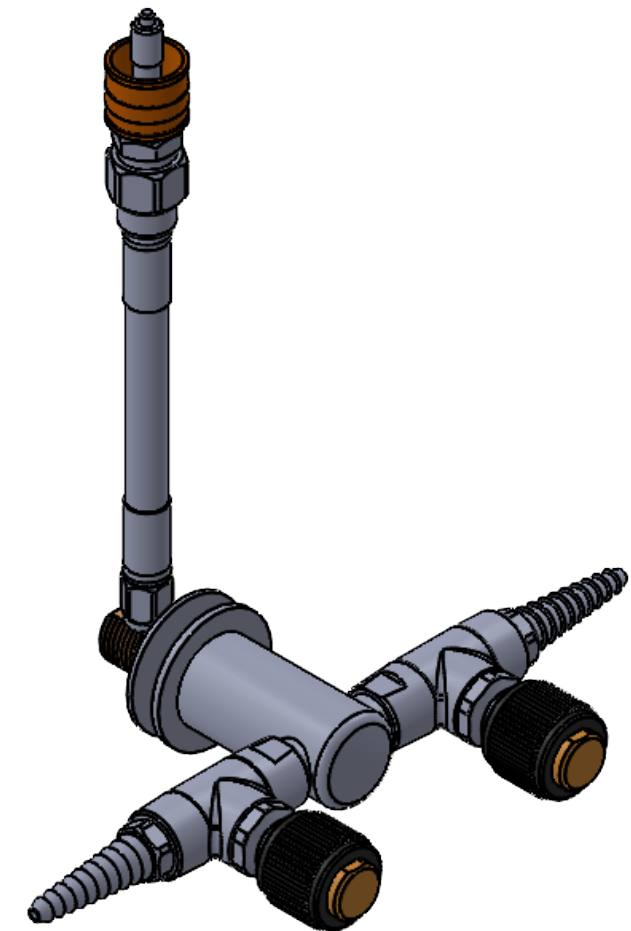
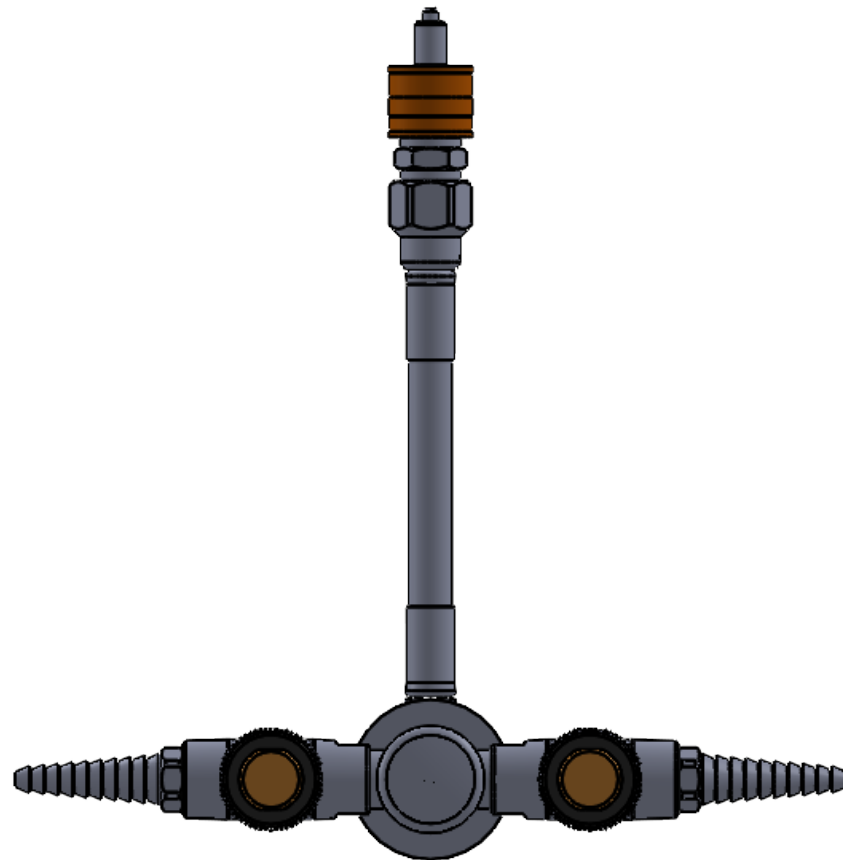
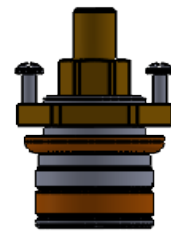
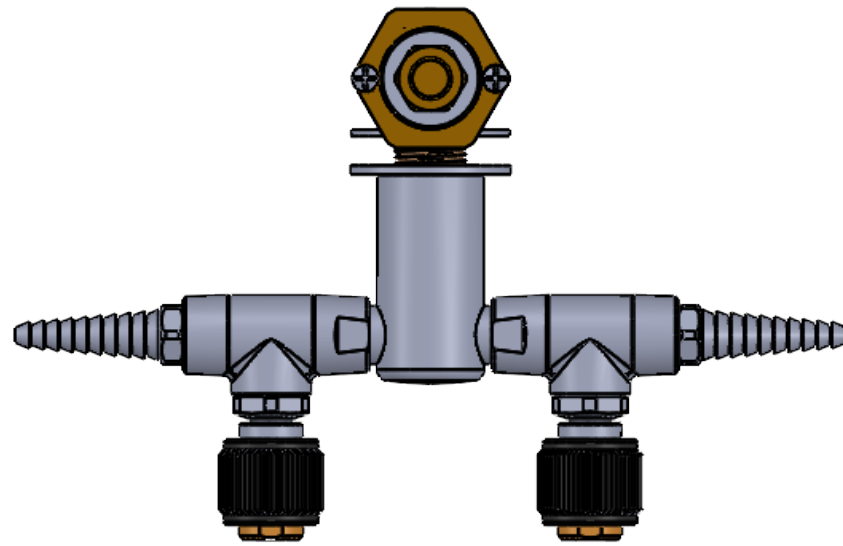
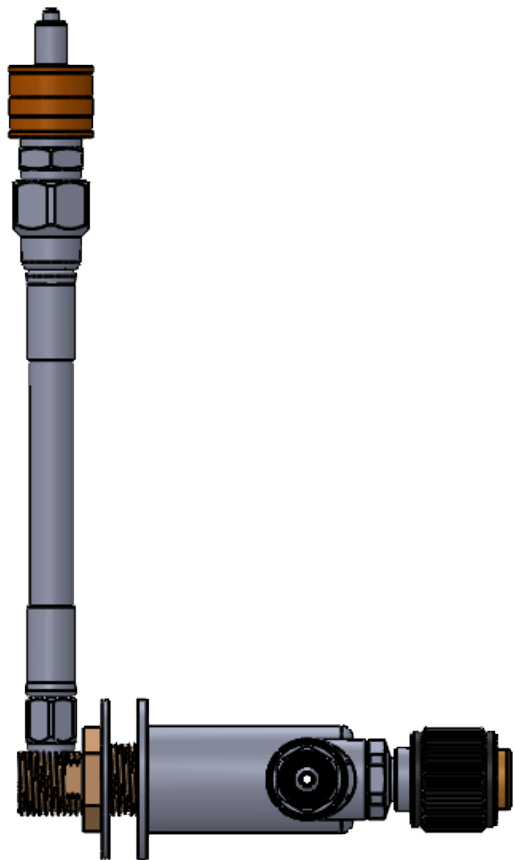
VPDU_C4-C3




*Ceiling Service Panel Mounted Devices are typically furnished and installed by the electrical contractor



PART NUMBER	DESCRIPTION	REV	DATE	DRAWN	MATERIAL AND FINISH	 <small>WE BUILD FOR SAFETY & COMPLIANCE</small>	
NOZZLE_SINGLE_SALES	SINGLE NOZZLE ASSEMBLY	-	CREATED: 8/4/2023	J.MCRAE	-		
			MODIFIED: 8/4/2023	SCALE: 1:2 SHEET 1 OF 1			



PART NUMBER	DESCRIPTION	REV	DATE	DRAWN	MATERIAL AND FINISH	 <small>WE BUILD FOR SAFETY & COMPLIANCE</small>
NOZZLE_DUAL_SALES	DUAL NOZZLE ASSEMBLY	-	CREATED: 8/4/2023 MODIFIED: 8/4/2023	J.MCRAE SCALE: 1:2.25 SHEET 1 OF 1	-	











