

GENIE EXPRESS

ex

IN-STOCK FUME HOODS, CABINETS, TABLES,
COUNTER TOPS, SINKS & ACCESSORIES



GENIE
SCIENTIFIC

GENIE SCIENTIFIC

— SINCE 1976 —



About Us.

SELL + WORK DIRECTLY WITH:

- Owners & End Users
- Architects
- General Contractors
- Facility Services
- Government Agencies
- Developers
- Resellers

What Makes Us Different?

- **EXPERIENCED IN-HOUSE TEAM:** Design, engineering, manufacturing, estimating & drafting.
- **DESIGN + LAYOUT:** Assist on designing proper layouts + space planning
- **DETAILED SUBMITTALS:** Clear understanding of what you are ordering & receiving.
- **PROJECT MANAGEMENT:** Dedicated project manager; you'll know where your project is every step of the way.
- **SKILLED INSTALLATION CREW:** Get it done fast and on time.
- **MANUFACTURING DIRECT:** Fume Hoods & Steel Products.
- **GENIE IS ALSO A DEALER:** Genie's OEM data base of suppliers nationwide custom tailoring complete packages to get you what you need, when you need it, on time and on budget.

Installation: Licensed, Insured & Bonded

Experienced install crews that can perform on any jobsite.
Ability to perform union, non-union & prevailing wage installations.

License #: 663769

Bond #: SC6003262

Public Works Contractor Registration # (DIR): 1000019140



Complete Labs Can Ship in 2-3 Weeks

The **Genie Express** program is a selection of our most popular items that are in-stock ready to ship and come in our standard white powder coat finish. All items are sold on a first come first serve basis. You can purchase a-la-carte items or complete labs.



What We Provide

- 3 Fume Hoods
- 7 Fume Hood Base Cabinets and Accessories
- 11 Standing Height Base Cabinets
- 13 Sink Cabinets
- 14 Sitting & ADA Height Base Cabinets
- 15 Wall Cabinets
- 16 Tall Storage Cabinets
- 17 Cabinet Aprons and Filler Panels
- 19 Mobile Cabinets
- 21 G1 Lab Tables
- 23 Shelving
- 26 Counter Tops and Sinks
- 29 Plumbing Fixtures & Electrical
- 31 Additional Accessories

Do not see what you need? At Genie we are able to offer flexible, on-demand lead time through our own factory. Give us a call and let us know what you are looking for. We will do everything we can to get you what you need when you need it.

GENIE BENCH TOP FUME HOOD



Slimline Model

48", 72" & 96" Bench Top Fume Hoods
(Constant Volume Open Bypass Units)
Ready-to-ship Fume Hood

Standard Items:

- SpillSafe Phenolic Fume Hood Top
- (2) 20amp GFI Outlets
- (1) Light Switch
- (1) Blower Switch
- Tel500 AirFlow Monitor

Available Add-Ons:

- Plumbing Fixtures
- Cup Sink
- Option to modify into a restricted bypass hood for use with VAV system (controller is by others)



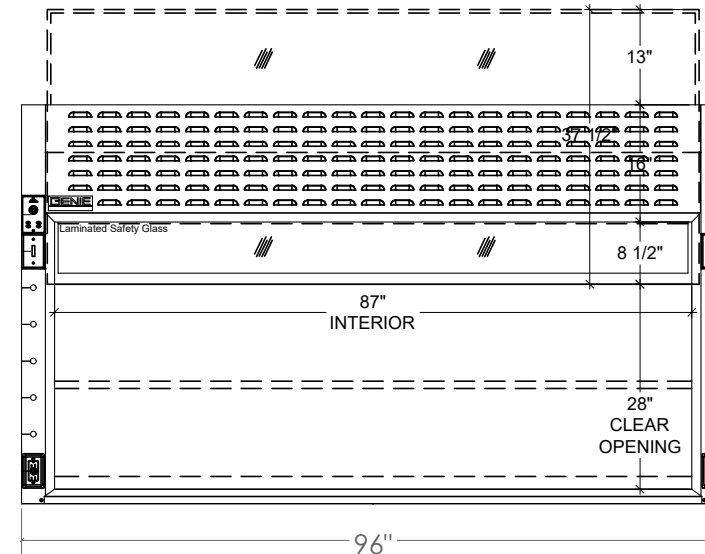
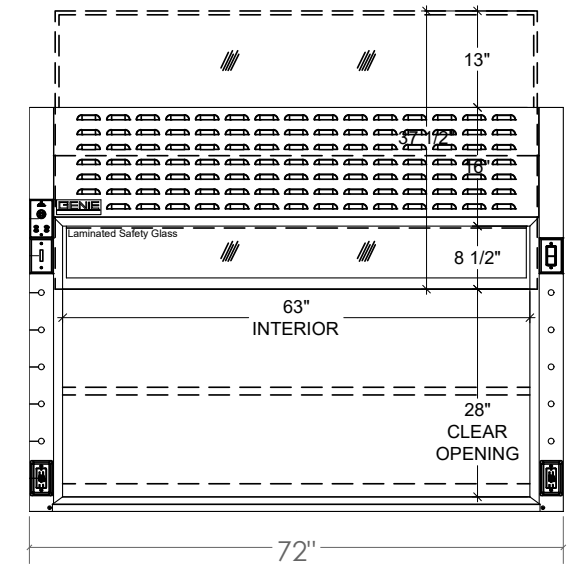
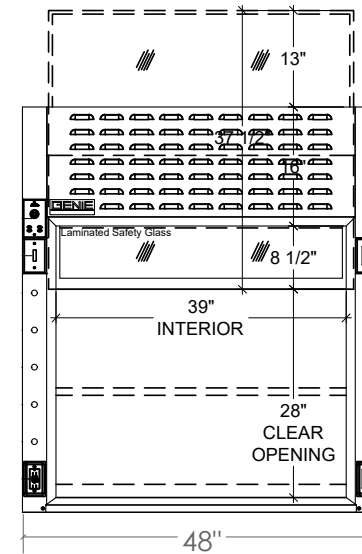
ChemTough™ The most durable general purpose fume hood liner on the market comes as the standard option on Genie hoods



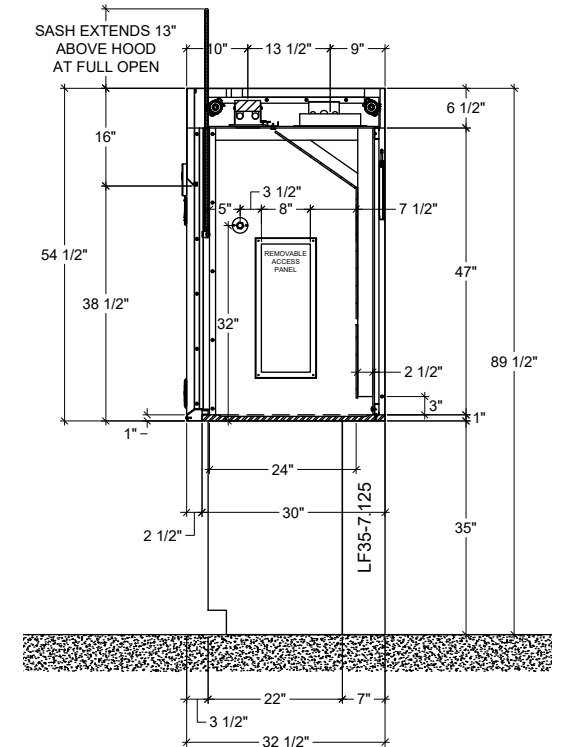
PowerLink™ Robust chain and sprocket sash counter balance a system that will never fail, we guarantee it!



SpillSafe™ Fume hood work surfaces are dished to safely contain spills inside the hood.



Section View



MODEL #	DIMENSIONS			HOOD OPENING		CFM @ 28"	CFM @ 18"	CFM @ CLOSED	DUCT DIAMETER
	W	H	D	W	H				
Genie 400-SL	48"	54 1/2"	32 1/2"	39"	31"	758 CFM @ .32"sp	488 CFM @ .13"sp	108 CFM @ .05"sp	10"
Genie 600-SL	72"	54 1/2"	32 1/2"	63"	31"	1125 CFM @ .41"sp	788 CFM @ .17"sp	175 CFM @ .05"sp	10"
Genie 800-SL	96"	54 1/2"	32 1/2"	87"	31"	1692 CFM @ .41"sp	1088 CFM @ .17"sp	242 CFM @ .05"sp	10" (x2)

WALK-IN FUME HOOD



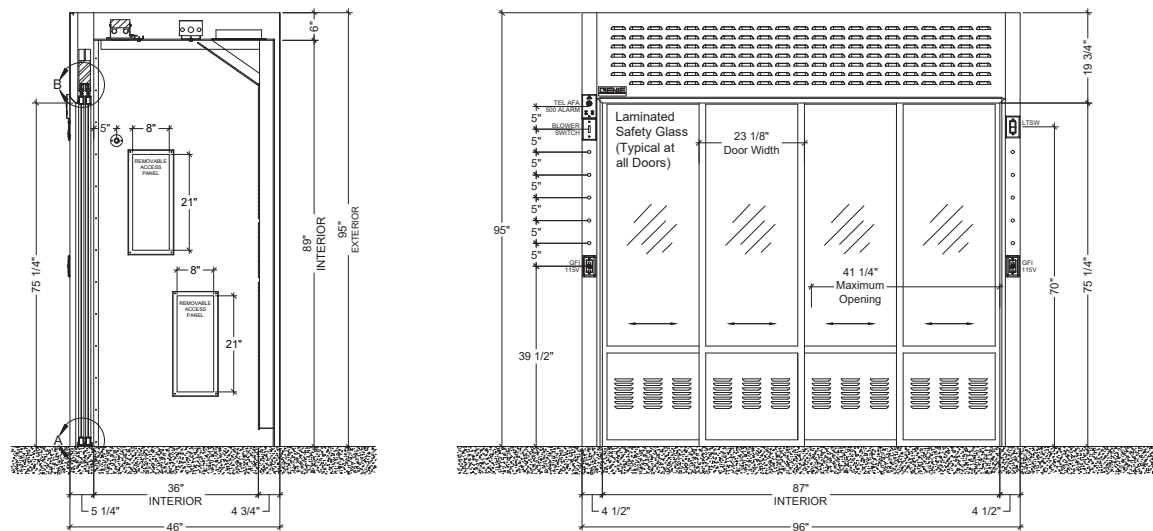
96" Walk-in Fume Hood with Horizontal Sliding Doors

Standard Items:

- SpillSafe Phenolic Fume Hood Top
- (2) 20amp GFI Outlets
- (1) Light Switch
- (1) Blower Switch
- Tel500 AirFlow Monitor

Available Add-Ons:

- Plumbing Fixtures
- Cup Sink
- Option to modify into a restricted bypass hood for use with VAV system (controller is by others)



96" Walk-in Fume Hood with Dual Vertical Rising Doors

Standard Items:

- SpillSafe Phenolic Fume Hood Top
- (2) 20amp GFI Outlets
- (1) Light Switch
- (1) Blower Switch
- Tel500 AirFlow Monitor

Available Add-Ons:

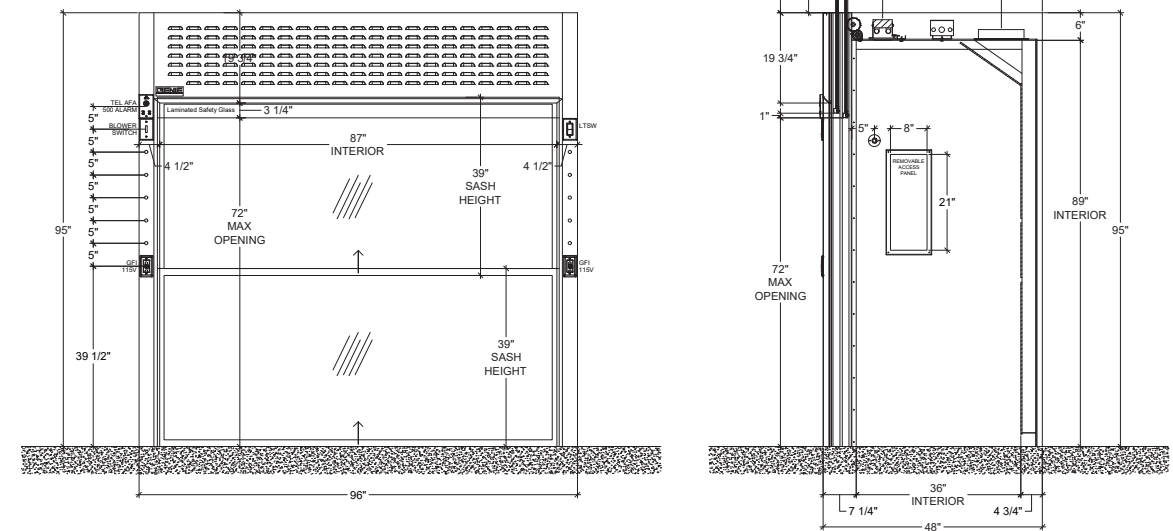
- Plumbing Fixtures
- Cup Sink
- Option to modify into a restricted bypass hood for use with VAV system (controller is by others)



ChemTough™ The most durable general purpose fume hood liner on the market comes as the standard option on Genie hoods



PowerLink™ Robust chain and sprocket sash counter balance a system that will never fail, we guarantee it!



SPECIALTY STORAGE/ FUME HOOD BASE UNITS

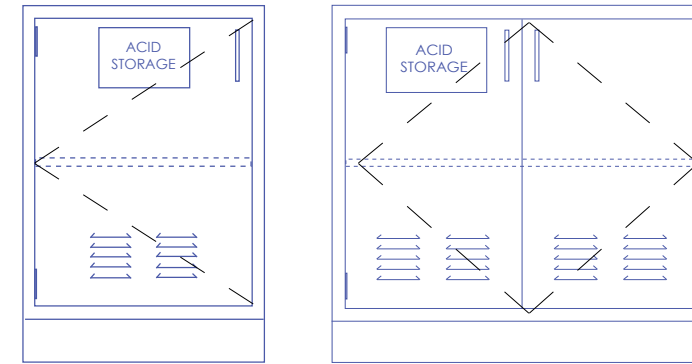


All Fume Hood Base Units are 35"H

Acid Storage Cabinets

WIDTH	MODEL #
24"	ASB3524-22D(L)
36"	ASB3536-22D
48"	ASB3548-22D

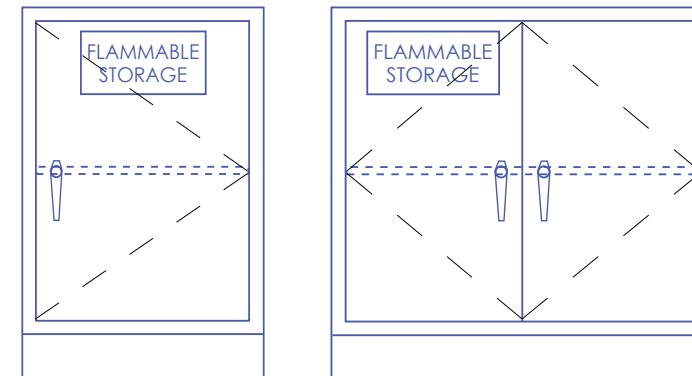
- Corrosive storage cabinets
- Interior lined with poly liner
- Come standard with vent kit for under fume hood use
- Can be labeled with: "acid" "base" or "corrosive"
- Label on left hand door
- One adjustable shelf



Flammable Storage Cabinets

WIDTH	MODEL #
24"	FSB3524-100(R)-22DSCC
36"	FSB3536-22DSCC
48"	FSB3548-22DSCC

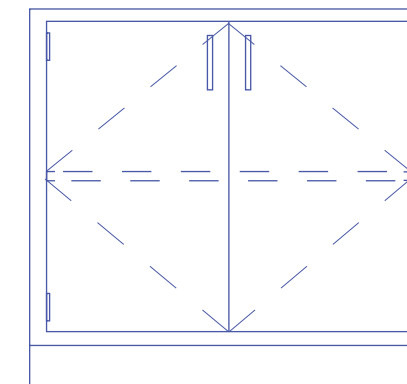
- Flammable solvent storage cabinets
- Synchronized self-closing doors
- Comes with lock and key
- Constructed to OSHA & nfpa 30 standards
- One adjustable powder coated steel shelf



Standard Storage

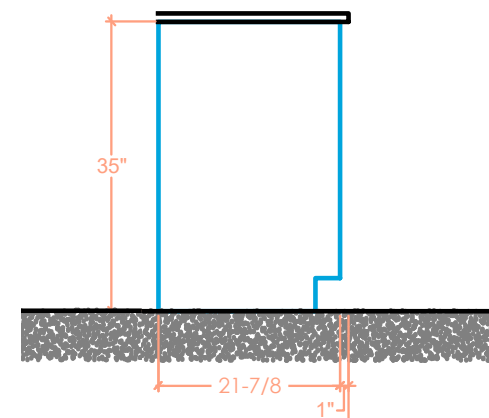
WIDTH	MODEL #
36"	B3536-200
48"	B3548-200

- Standard 2-door cabinet with one adjustable shelf



Fume Hood Base Units
Flammable Storage
Standard Storage

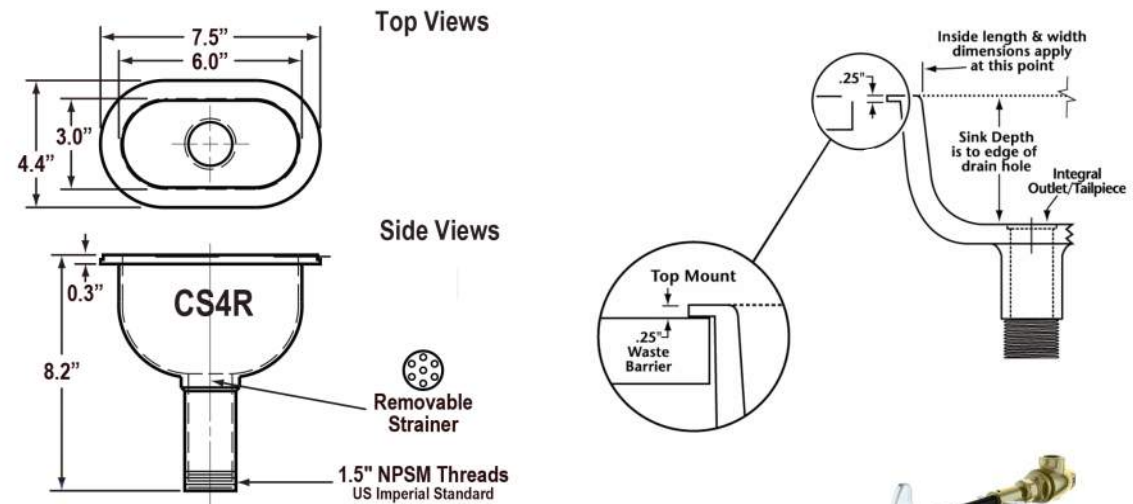
Section View



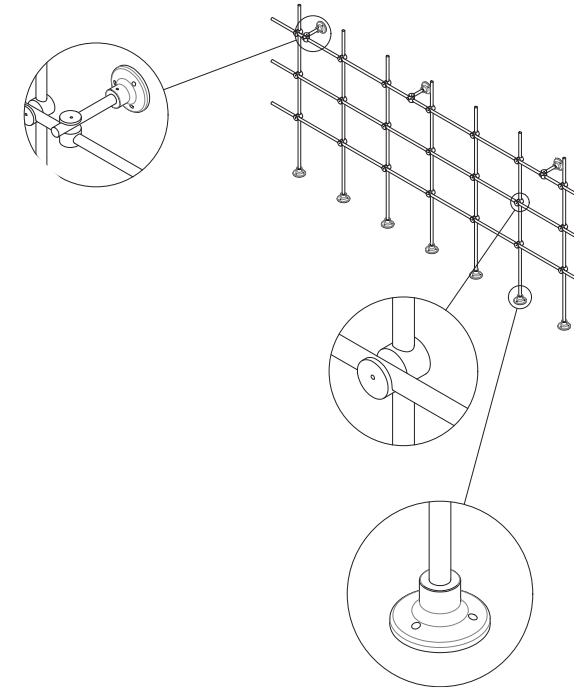
FUME HOOD OPTIONS

Cup Sinks

- Small sinks designed for convenient disposal of liquid waste
- Standard install is top mount style to contain hazardous spill
- Standard model is CS4R black polypropylene cup sink



FUME HOOD SERVICE FIXTURES	
SERVICE	PART#
Air	Rem-Air
Gas	Rem-Gas
Vacuum	Rem-Vac
Nitrogen	Rem-Nit
Argon	Rem-AR
Cold Water	Rem-CW
Valves are brass, needle valve style	
Fixtures are factory pipe 4" above top of fume hood using 1/2" type L copper pipe with Viega Propress Fittings	

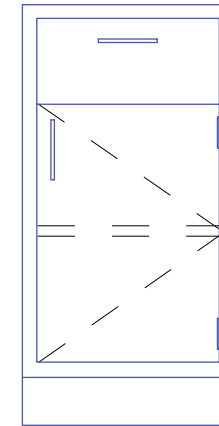


Lattice Rack (Monkey Bars)

Made from 1/2" diameter fiber glass rod with stainless steel fittings.

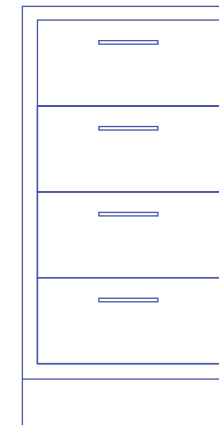
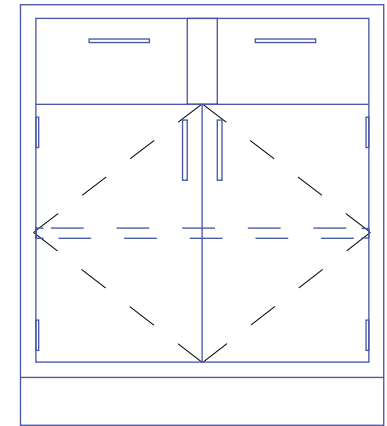


STANDING HEIGHT BASE CABINETS



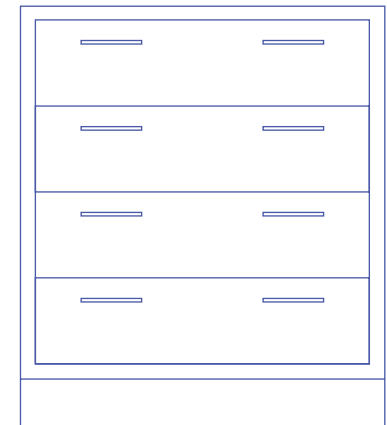
Door/Drawer Cabinet

WIDTH	MODEL #
18"	B3518-110R
24"	B3524-110R
36"	B3536-220
48"	B3548-220



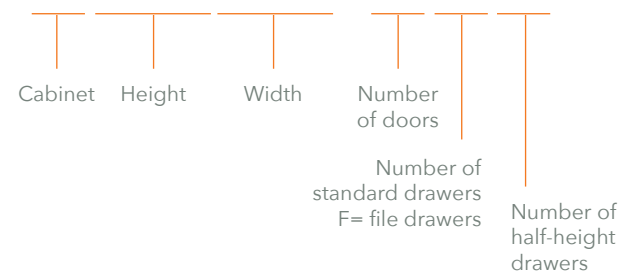
Drawer Cabinet

WIDTH	MODEL #
18"	B3518-040
24"	B3524-040
36"	B3536-040

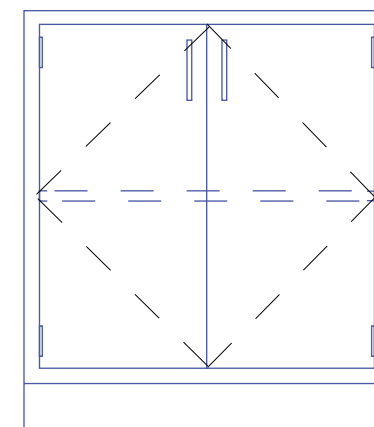
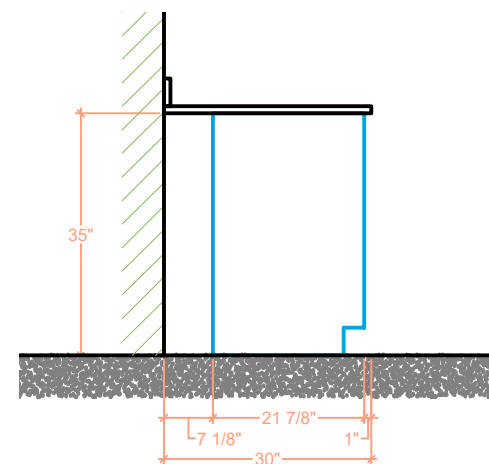


Part Numbering System

B3536-220



Section View

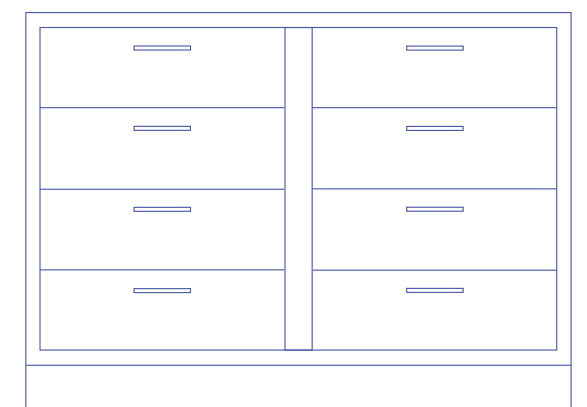


Door Cabinet

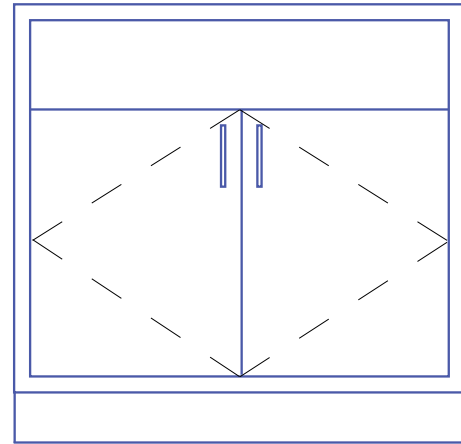
WIDTH	MODEL #
30"	B3530-200
36"	B3536-200
48"	B3548-200

Drawer Cabinet

WIDTH	MODEL #
48"	B3548-080

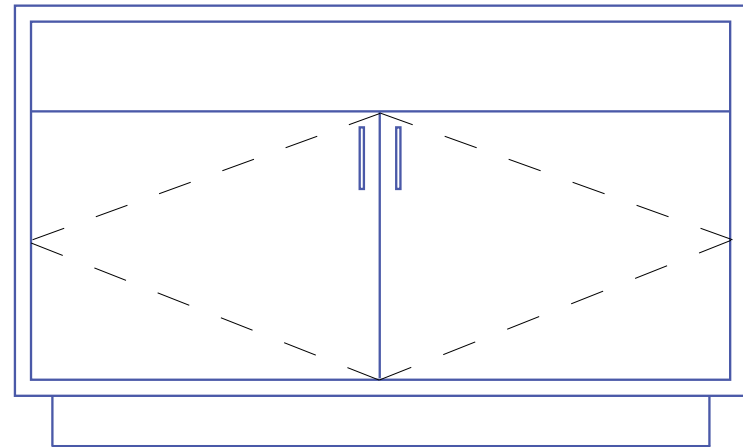


SINK CABINET UNITS



Sink Cabinet

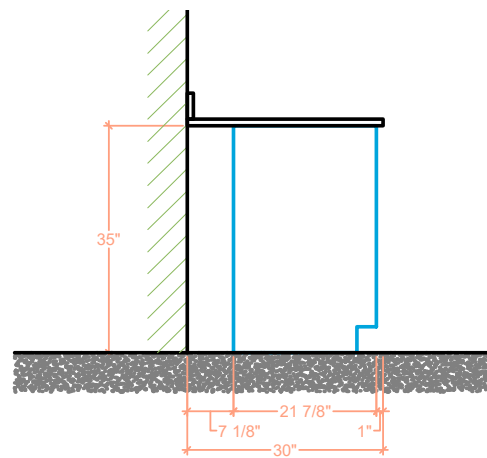
WIDTH	MODEL #
36"	B3536-20S
48"	B3548-20S



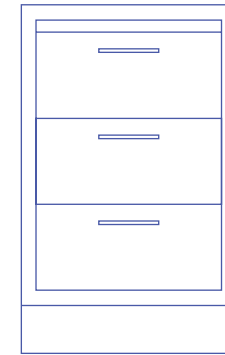
Sink Cabinet

WIDTH	MODEL #
58"	B3558-20SI

Section View



SITTING & ADA HEIGHT CABINETS

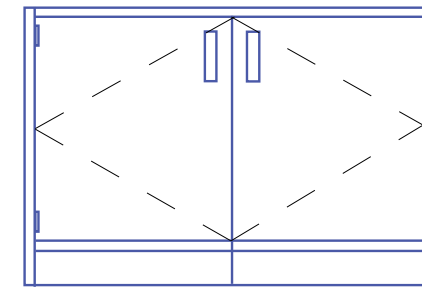
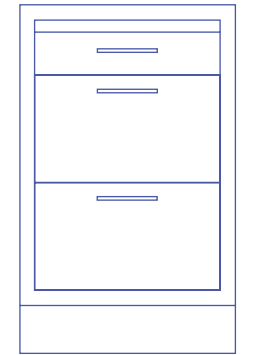


Sitting Height
Drawer Unit

WIDTH	MODEL #
18"	B2918-030

ADA Height (32.5")
Drawer Unit

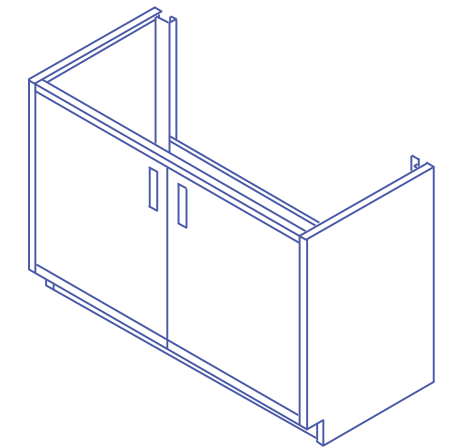
WIDTH	MODEL #
18"	B3318-F11



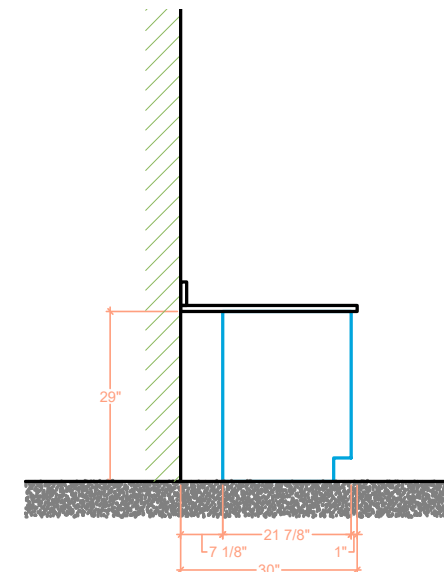
Floorless ADA Height Cabinet

WIDTH	MODEL #
48"	B3348-20S(T)HD

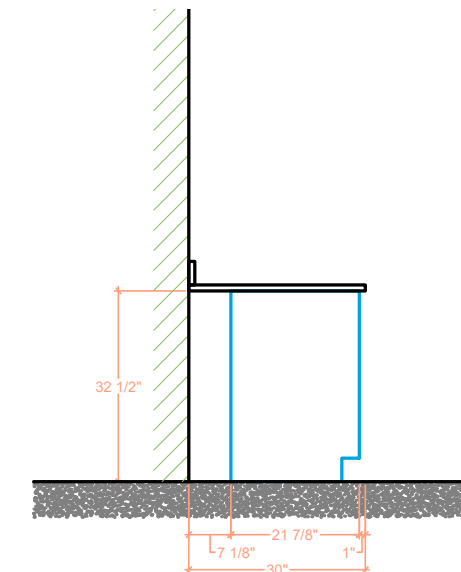
- Floorless ADA Height Cabinet
- Toe kick to attached to door
- Allow for Wheel Chair Access



Section View
Sitting Height

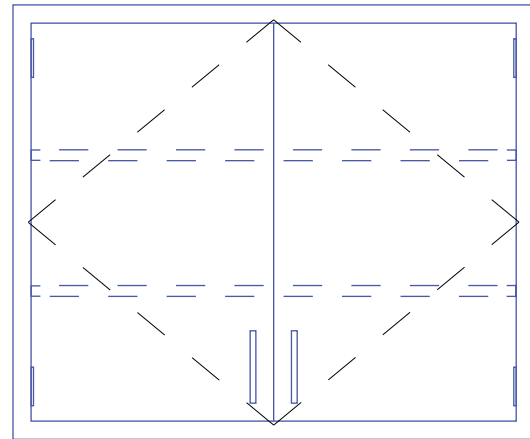


Section View
ADA Height



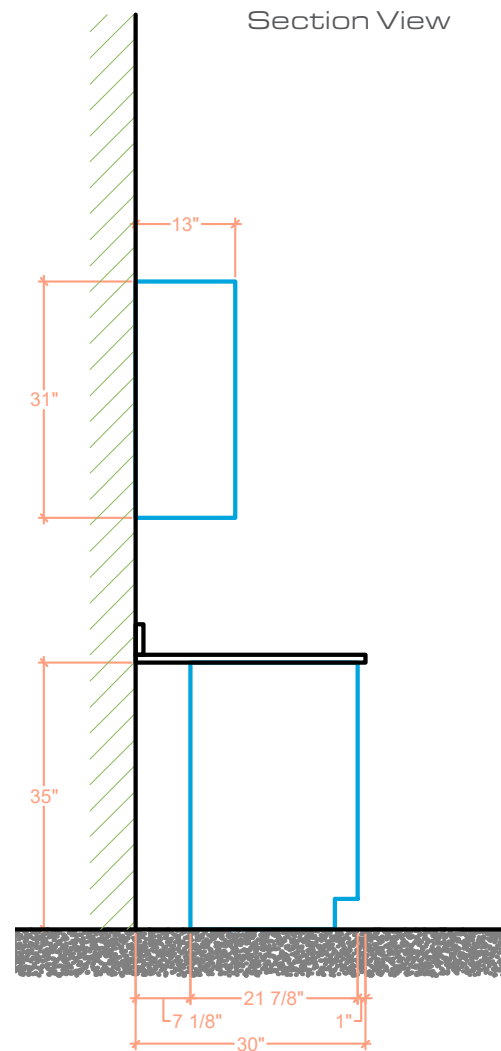
WALL CABINETS

- Wall cases are available in 48" w x 31" H
- Units are 13" D and come with two adjustable shelves



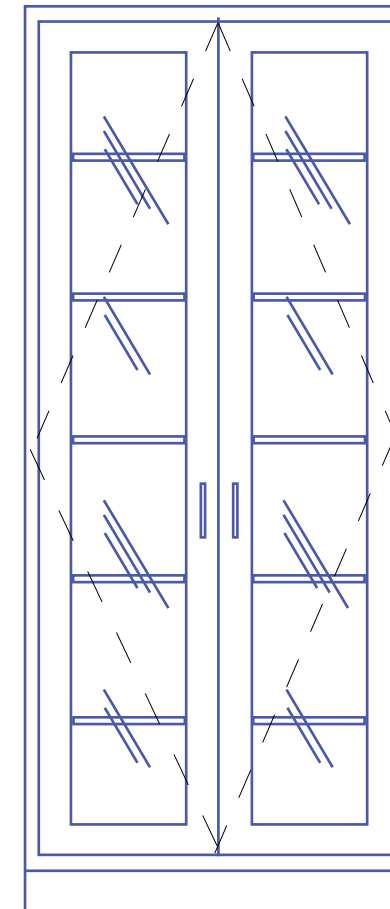
Solid Door Wall Cabinets

WIDTH	MODEL #
48"	W3048-2SH



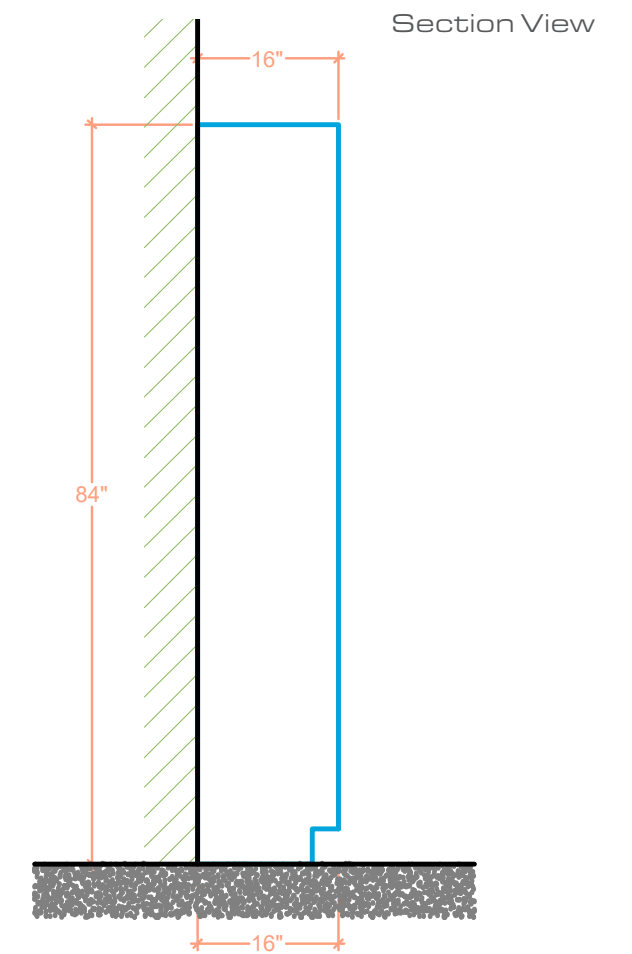
TALL STORAGE CABINETS

- Floor cases are available in widths ranging from 36" width
- All units are 84" high and 16" in depth
- Comes with five adjustable shelves



Standard Storage

WIDTH	MODEL #
36"	F8436-2GH



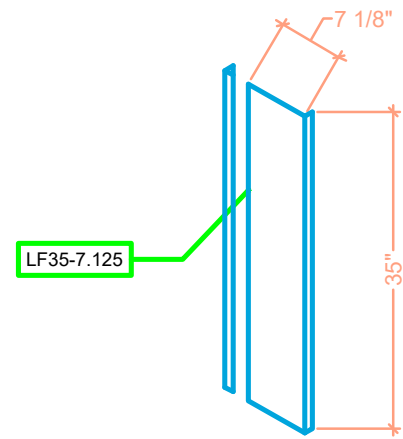
FILLER PANELS & END PEDESTAL LEGS

Majority of fillers can be cut in the field for a custom fit.

L Filler

Used Between the back of cabinet and wall to close of pipe chase area. Able to be trimmed in the field, comes with slip joint.

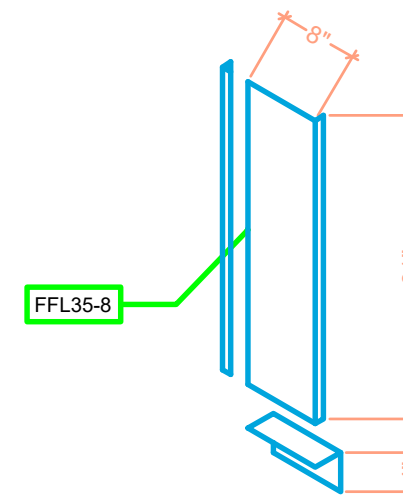
PART #	WIDTH
Sitting Height - 29"	
LF29-7	7"
Ada Height - 32.5"	
LF33-7	7"
Standing Height - 35"	
LF35-7	7"
LF35-13	13"



FFL-Filler

For use between adjacent base cabinets or between a cabinet and the wall. Able to be trimmed in the field, comes with slip joint.

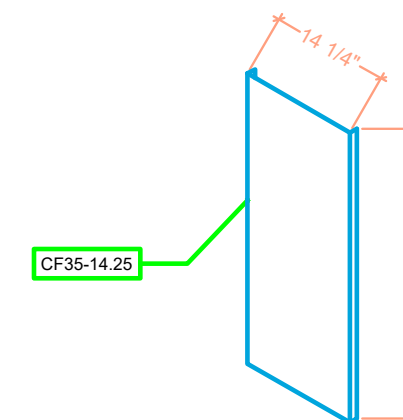
PART #	WIDTH
Sitting Height - 29"	
FF29-8	8"
Ada Height - 32.5"	
FF33-8	8"
Standing Height - 35"	
FF35-1	1"
FF35-8	8"



C-Filler

For use between back-to-back base cabinet, typical on an island.

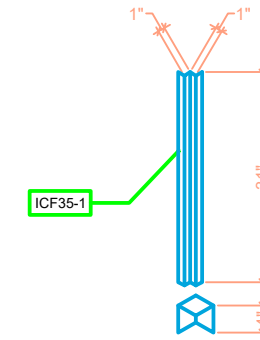
PART #	WIDTH
Sitting Height - 29"	
CF29-14	14"
Ada Height - 32.5"	
CF33-14	14"
Standing Height - 35"	
CF35-14	14"



ICF Filler

Used in a corner condition.

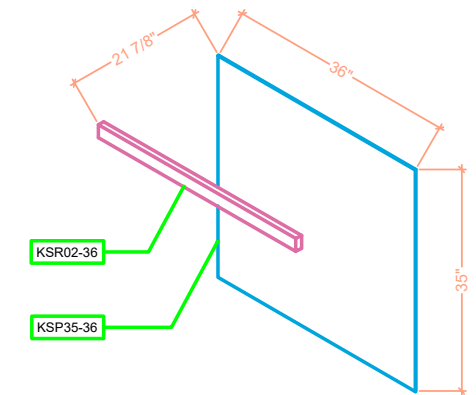
PART #	WIDTH
Sitting Height - 29"	
ICF29-1	1"X1"
Ada Height - 32.5"	
ICF33-1	1"X1"
Standing Height - 35"	
ICF35-1	1"X1"



Knee Space Rails (KSR)

Knee space rails are 2"H and used to span and support open spaces between two cabinets.

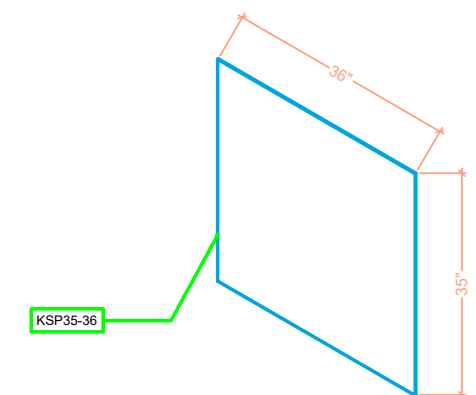
PART #	WIDTH
KSRO1-30	30"
KSRO1-36	36"
KSRO1-48	48"



Knee Space Panels (KSP)

Close off open space behind a knee space. Can be used with or without knee space rail.

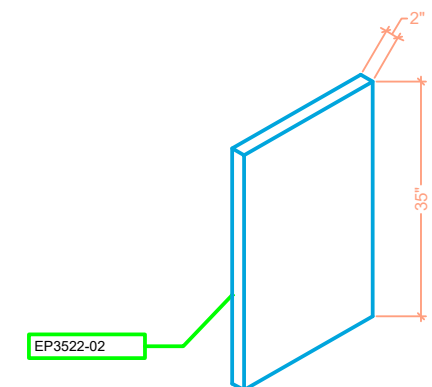
PART #	WIDTH
Sitting Height - 29"	
KSP29-X	X=30", 36", 48"
Ada Height - 32.5"	
KSP33-X	X=30", 36", 48"
Standing Height - 35"	
KSP35-X	X=30", 36", 48"



End Pedestals (EP)

2"w x 21.875"D pedestal leg used to support counter tops.

PART #	WIDTH
Sitting Height - 29"	
EP2902-22	29"H x 2"W x 21.875"D
Ada Height - 32.5"	
EP3302-22	33"H x 2"W x 21.875"D
Standing Height - 35"	
EP3502-22	35"H x 2"W x 21.875"D

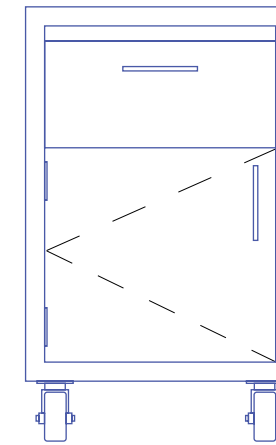
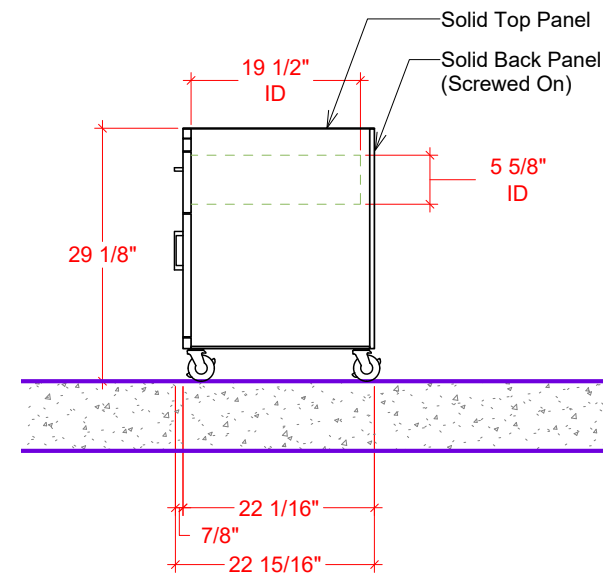


MOBILE CABINETS



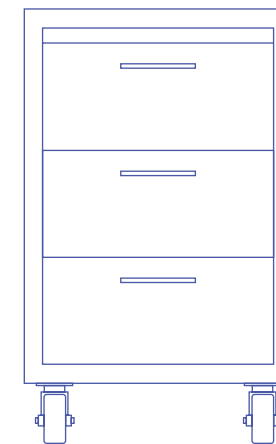
- Comes standard with finished steel top (stp)
- Cabinet bodies are one piece wrap style with finished back
- 3.75" h polypropylene wheeled casters with 350lb load capacity
- All (4) casters are swivel front (2) are locking

Section View



Door/Drawer Unit

WIDTH	MODEL #
24"	AMB2924-11OL



Drawer Unit

WIDTH	MODEL #
24"	AMB2924-030

G1 TABLES



- Made from 2"x2" & 2"x1" powder coated steel tube
- Ships knocked down to save on freight
- Easy to assemble, only require (4) bolts to install
- 2,000lb weight capacity
- 3/4" thick black lab grade phenolic resin counter tops
- All tables are 36" high and 30" deep

Section View

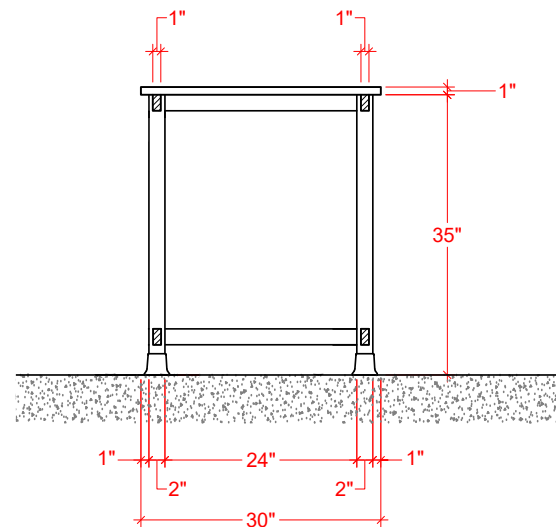
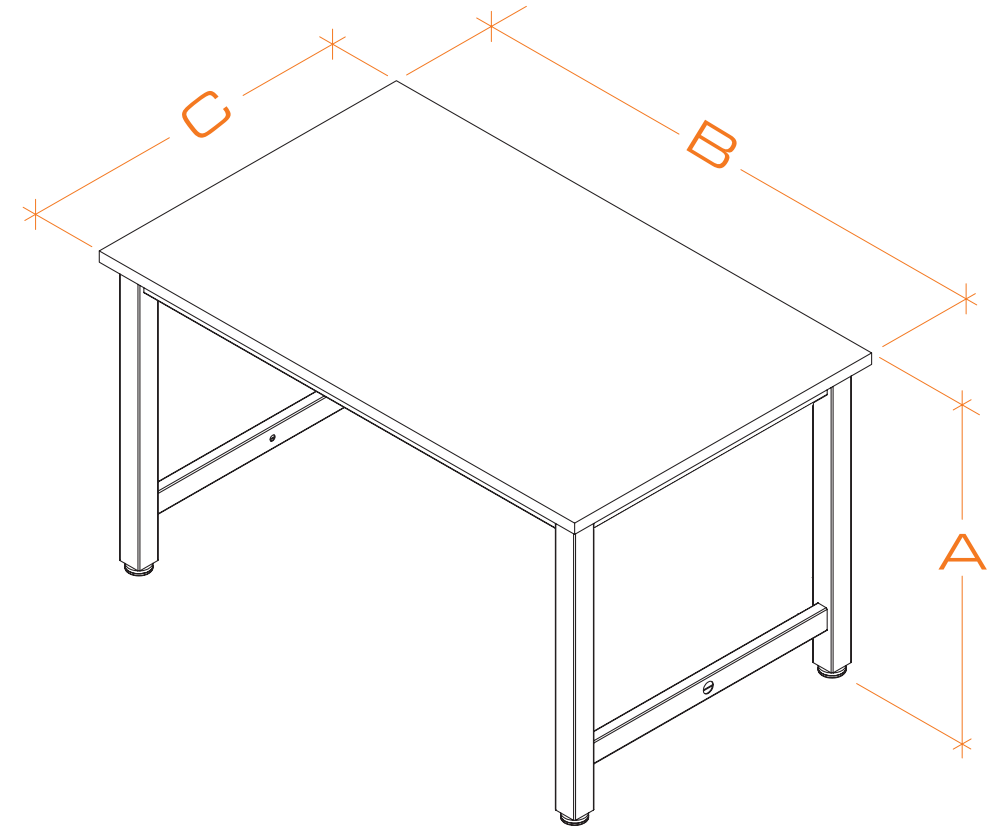


Table Sizes

Dimensions refer to finished counter top height, width and depth.
Steel table frame size = less top thickness and 1" counter top overhand on all sides.



A Dim	B Dim	C Dim	MODEL
36"	48"	30"	G1T364830-PR
36"	60"	30"	G1T366030-PR
36"	72"	30"	G1T367230-PR

DECK MOUNTED SHELVING

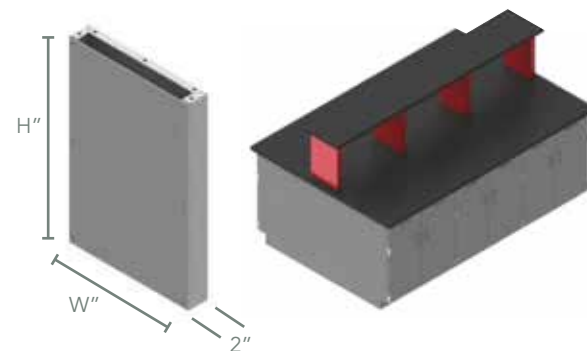


Reagent Shelf Uprights

Part Numbering System

RSU1812

Reagent Shelf Upright Height Width



A RSU1812 is 18" high and 12" wide.
Standard depth is 2". For custom depths, add a suffix after the product number with the desired depth - eg, RSU1812-04

ISLAND SHELVING - FIXED HEIGHT

- Supports fixed height shelving or wall/pass-thru cabinets, fastens directly to counter top
- Use on peninsulas, islands or wall locations where wall shelving is not permitted
- Shelving can be single, double or triple tiered
- Reagent Shelf Uprights (RSU) made from powder coated steel to match casework, standard unit is 18"H x 12" x 2"
- Longest suggested span between uprights/poles is 48"
- Standard shelf material is black plastic laminate with 2"H, 3mm seismic lip



SHELVING

ADJUSTABLE HEIGHT WALL SHELVING

- Standard adjustable height wall shelving
- In-wall backing may be required for installation based on application
- Shelving is made from black plastic laminate with 3mm x 2"H Black PVC Lip
- Powder coated steel also available upon request



Wall Standard

- 85 series double slotted wall standards
- Made from 16ga steel with Anochrome finish

PART #	HEIGHT
85 ANO 36	36"



Shelf Bracket

- 185 Series Double Tabbed under mount shelf bracket
- Made from 16ga & 14ga steel with Anochrome finish
- Part # depth is overall finished depth of the shelf, including any seismic lip

PART #	HEIGHT
185 ANO 12	12"

COUNTER TOPS



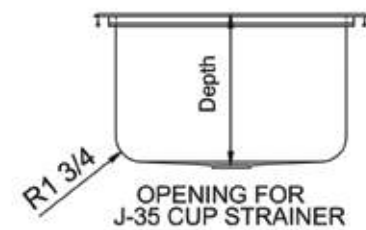
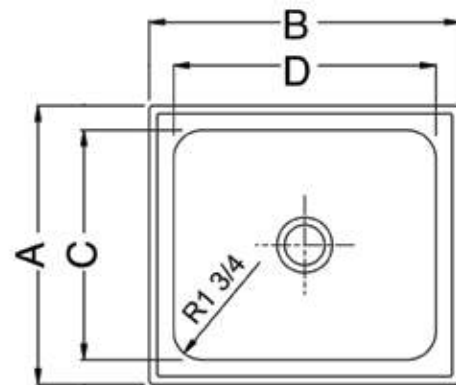
- 3/4" thick black phenolic resin counters
- Lab-grade SEFA 3 tested



STAINLESS STEEL SINK

- Drop in top mount style. Can be used with all counter top types
- Lab grade T304 #4 finish, seamless die drawn construction
- Fully coated underside insulated for sound & reduces condensation
- Common sizes shown in chart below. Additional sizes are options available

MODEL	O.D. A X B	I.D. C x D	DEPTH
SX-1719-A-GR	17" x 19"	14" x 16"	10.5"
SX-1931-A-GR	19" x 31"	16" x 28"	10.5"
ADA MODELS			
S-ADA-1719-A-GR	17" x 19"	14" x 16"	5"
S-ADA-1931-A-GR	19" x 31"	16" x 28"	5"
J35	Stainless Strainer w/Tailpiece		

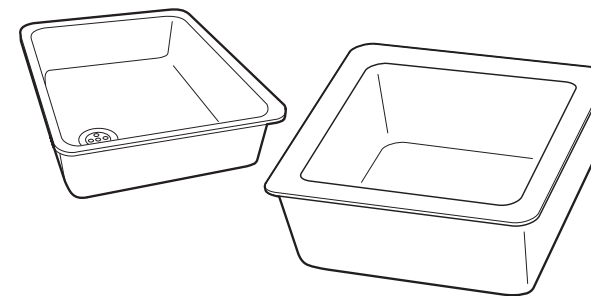


Epoxy Resin Drop-In Style Sinks

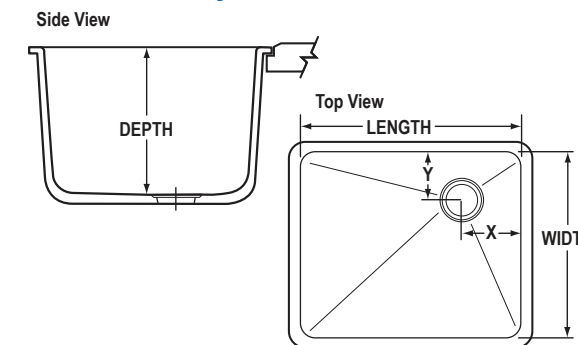
Color = Black

EPOXY RESIN DROP-IN SINK LIST			
Sink Model	Length	Width	Depth
D30	18"	15"	10.75"
D55	25"	15"	10"
D59	28"	15"	11.75"
A25	18"	15"	5"
A55	25"	15"	4.75"
A25 & A55 are ADA Depth Sinks			

Dropln® Sink Styles



Dimensions Key



EPOXY RESIN SINK

Sink Outlet

- Standard epoxy sink outlet
- Made from black polypropylene
- Comes with removable disk strainer and lock nut
- 1-1/2" NPT outlet



SO3-R

Smooth-On PC-3 Epoxy Resin Cement

- Two-part component compound used to join, band and caulk joints on epoxy and phenolic resin laboratory counter tops
- Required for install of epoxy drop-in style sinks
- Standard color is black. Other colors available to match counter top



Smooth-On



Standard Hot and Cold Mixing Faucet
Part#: L412-VB



ADA Compatible Hot and Cold Mixing Faucet
Part#: L412-VB-BH



DI/Pure Water Faucet
Part #: L7833



Deck Mounted Eyewash
Part #: EW1022

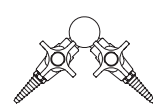


Deck Mounted Needle Valve for Lab Gases

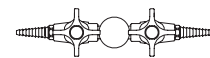
Available for Gas, Air, Vacuum, Nitrogen
Specify single, 90 double, 180 Double



L2880-131WSA
Single



L2880-132AWSA
90° Double



L2880-132SWSA
180° Double

Electrical Pedestals

Deck mounted electrical boxes are UL-Listed under standard UL514A. Finish is black wrinkle powder coat. All electrical devices must be installed in field by electrician.

1. WS Electrical box, double gang, double face, wrinkle black powder coated finish
2. SA-WS Same as above except with satin aluminum finish
3. PB-WS Same as above except with polish aluminum finish

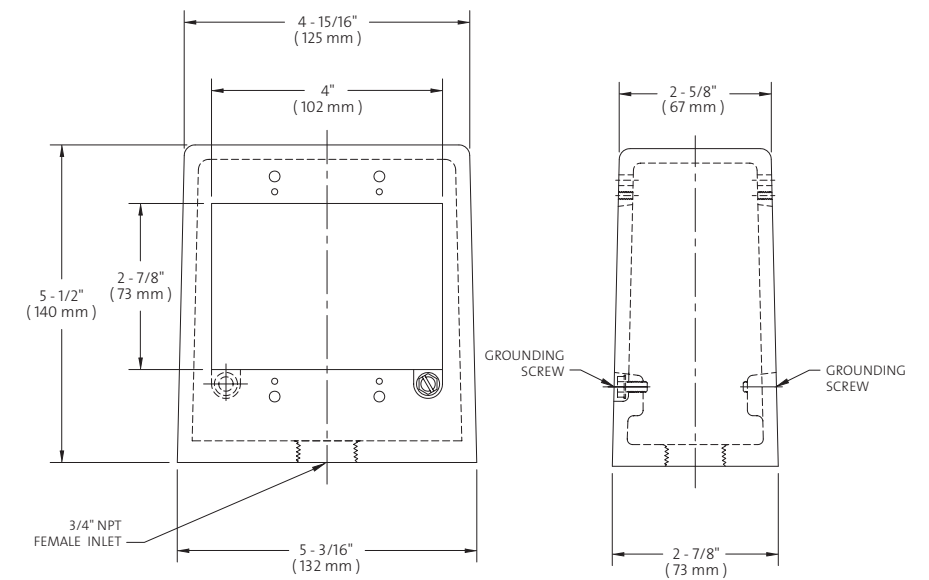
E600WS : Double Gang, Double Sided

E500: Double Gang, Single Face

E400: Single Gang, Double Face

E300: Single Gang, Double Face

E600WS shown



Power Strip

- UL Listed 20AMP Power Strip
- 48" Long with (10) total Outlets
- 6' long power cord

Outlets: NEMA 5-20R, Plug: NEMA 5-20P

Includes internal circuit break

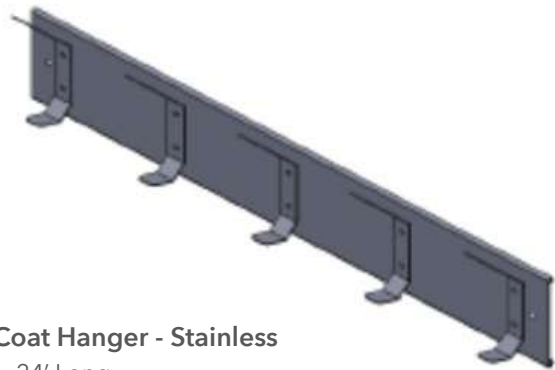


ADDITIONAL ACCESSORIES



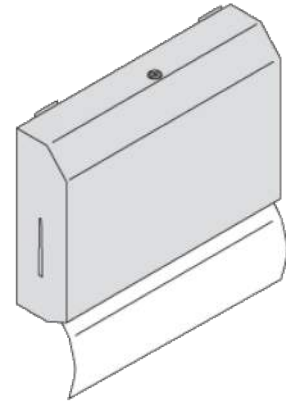
Stainless Steel Peg Board

- Made from T304 Stainless Steel
- 30" w x 30" H
- Has integral 2" drip tray and vinyl drain hose
- 6" white pegs are standard



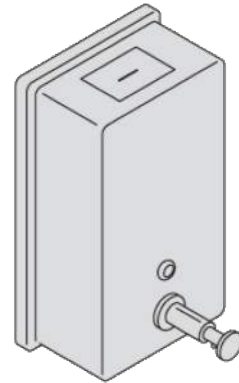
Coat Hanger - Stainless

- 24' Long



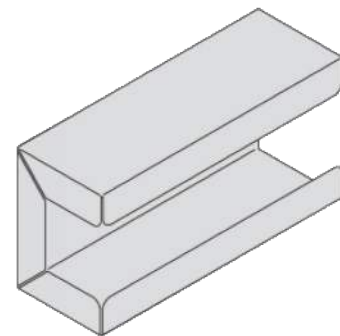
Stainless Paper Towel Dispenser - Petite

- 11" w x 8" h x 4" d
- Dispenses 200 C fold or 275 multi-fold paper towels



Stainless Soap Dispenser - Vertical

- 4.8125" w x 8.1875" h x 2.5" d
- Dispenses up to 40 fluid oz. of liquid soap, lotion or detergent



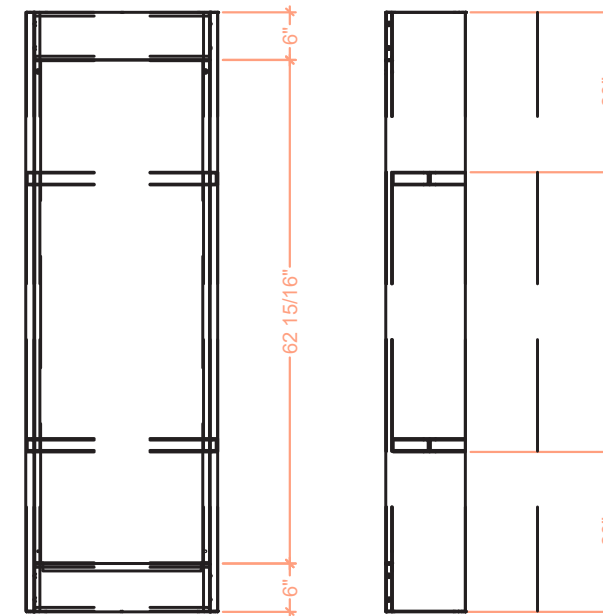
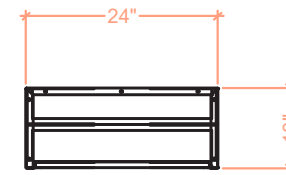
Stainless Glove Dispenser

- 9.75" w x 5.50" h x 3.75" d
- Holds most standard disposable glove boxes

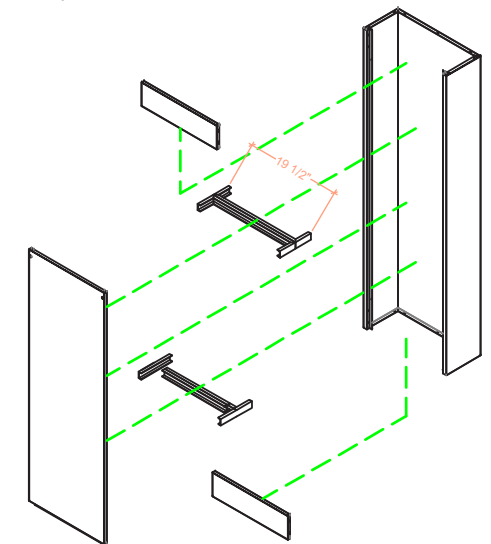
UMBILICAL

Umbilicals are used to conceal service lines that come down from the ceiling at both wall and island locations. Units are furnished with factory installed Unistrut channel, one side of the the umbilical is removable to access utility lines.

- Powder coat finish to match the casework.
- A verified ceiling height is required
- Units can either butt to the ceiling or go thru a TBAR ceiling for a cleaner look
- Standard Unit is 24" w x 10" D



Exploded View





Genie Scientific, Inc.

800.545.8816 p 714.545.1838 f 714.641.0496

17430 Mt. Cliffwood Circle, Fountain Valley, CA 92708

www.geniescientific.com

V1

**WOMEN
OWNED™**



@geniescientific.com