

GENIE

S C I E N T I F I C



CLASSIC LAB LINE
STEEL CASEWORK & TABLES
G2 SERIES

where you'll find it

Casework

| | |
|----------|---|
| Standing | 2 |
| Sitting | 3 |
| Upper | 4 |
| Tall | 5 |

Welded Tables

| | |
|------------------------------|---|
| Frame Sizes & Part Numbering | 6 |
|------------------------------|---|

Welded Workstations

| | |
|------------------------------|---|
| Frame Sizes & Part Numbering | 7 |
|------------------------------|---|

Options and Accessories

| | |
|------------------------|----|
| Counter Top Materials | 8 |
| Hanging Cabinets | 8 |
| Power Strips | 8 |
| Shelf Materials | 9 |
| Adjustable Height Legs | 10 |
| Casters | 10 |

G2 Welded Table Quote Sheet

11

Colors

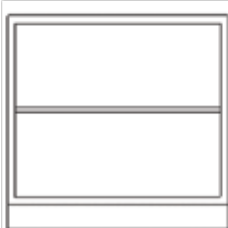
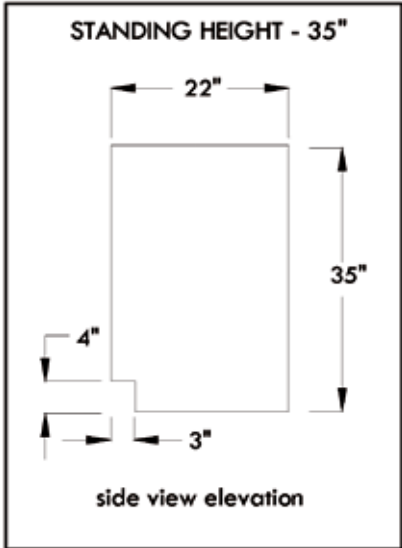
12

G2 Tables & Workstations

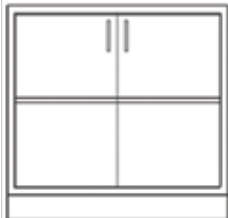
- Rugged fully welded construction to support heavy loads and ultimate rigidity
- Made from heavy gauge steel tube with a powder coat finish
- Weight capacity of 7,000LBS (fixed height units)
- Legs have leveling feet for easy micro adjustments
- Choose from several counter top option and accessories
- All exposed welded are ground smooth or superior finish & aesthetics

STANDING HEIGHT FEATURES

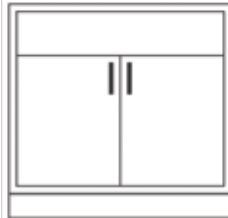
- 35" h X 22" d
- Powder coated steel
- 18 gauge construction
- 5 knuckle stainless steel hinges
- Adjustable leveling feet
- Standard aluminum pull



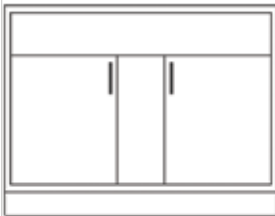
B3518-000
 B3524-000
 B3530-000
 B3536-000
 B3542-000
 B3548-000



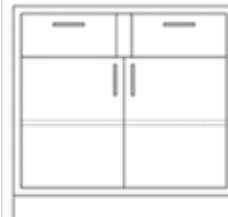
B3530-200
 B3536-200
 B3542-200
 B3548-200



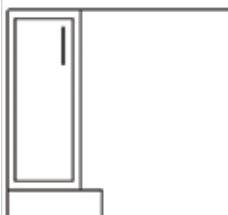
B3530-20S
 B3536-20S
 B3542-20S
 B3548-20S



B3558-20S



B3530-220
 B3536-220
 B3542-220
 B3548-220



C3514-100



B3530-140B
 B3536-140B
 B3542-140B
 B3548-140B



B3530-140A
 B3536-140A
 B3542-140A
 B3548-140A



B3530-060
 B3536-060
 B3542-060
 B3548-060



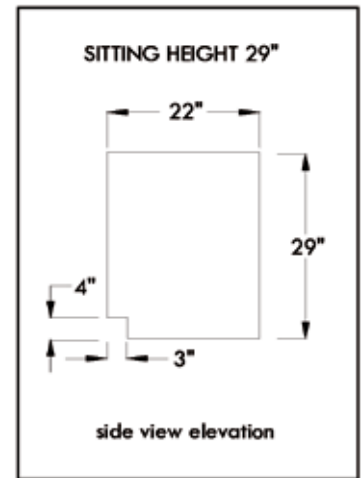
B3530-080
 B3536-080
 B3542-080
 B3548-080



B3530-040
 B3536-040
 B3542-040
 B3548-040

SITTING HEIGHT FEATURES

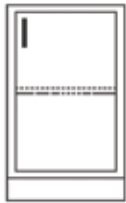
- 29" h X 22" d
- Powder coated steel
- 18 gauge construction
- 5 knuckle stainless steel hinges
- Adjustable leveling feet
- Standard aluminum pull



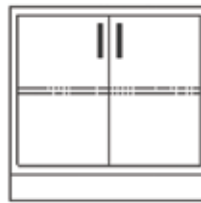
B2918-000
B2924-000
B2930-000
B2936-000
B2942-000
B2948-000



B2918-B11
B2924-B11



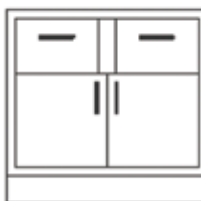
B2918-100
B2924-100



B2930-200
B2936-200
B2942-200
B2948-200



B2918-110
B2924-110



B2930-220
B2936-220
B2942-220
B2948-220



B2918-030
B2924-030



B2930-060
B2936-060
B2942-060
B2948-060



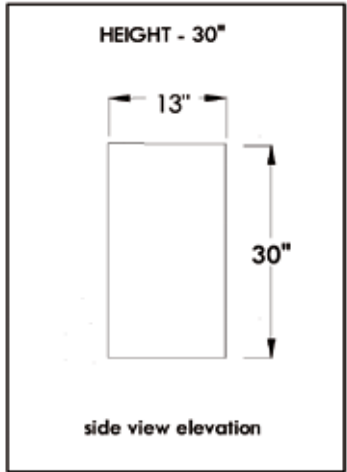
B2930-030
B2936-030
B2942-030
B2948-030


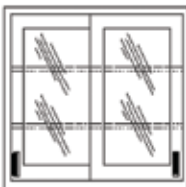

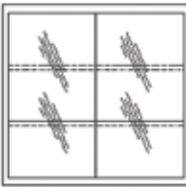

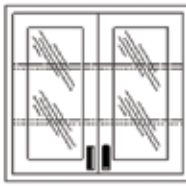




B2914-100

UPPER CABINET FEATURES

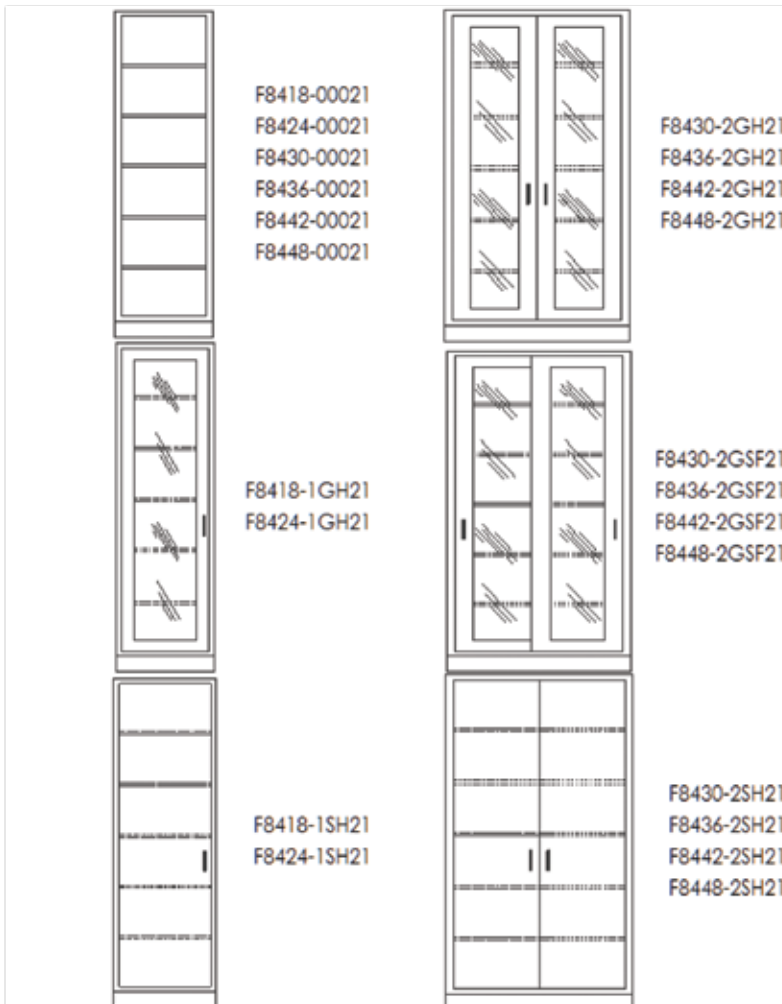
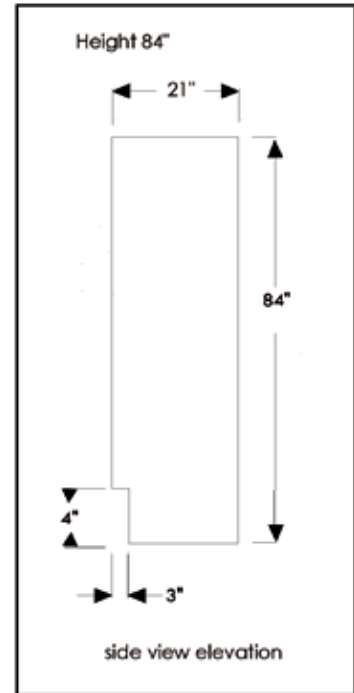
- 30”h X 13”d
- Powder coated steel
- 18 gauge construction
- 5 knuckle stainless steel hinges
- 1/4” clear glass
- Standard aluminum pull



| | | | |
|---|--|---|--|
|  | W3018-000 W3024-000 W3030-000 W3036-000 W3042-000 W3048-000 |  | W3030-2GSF W3036-2GSF W3042-2GSF W3048-2GSF |
|  | W3018-1SH W3024-1SH |  | W3030-2GS W3036-2GS W3042-2GS W3048-2GS |
|  | W3018-1GH W3024-1GH |  | W3030-2GH W3036-2GH W3042-2GH W3048-2GH |
|  | W3030-2SH W3036-2SH W3042-2SH W3048-2SH |  | W3030-2SS W3036-2SS W3042-2SS W3048-2SS |

TALL CABINET FEATURES

- 84”h X 21”d
- Powder coated steel
- 18 gauge construction
- 5 knuckle stainless steel hinges
- Adjustable leveling feet
- 1/4” clear glass
- Standard aluminum pull



WELDED TABLE

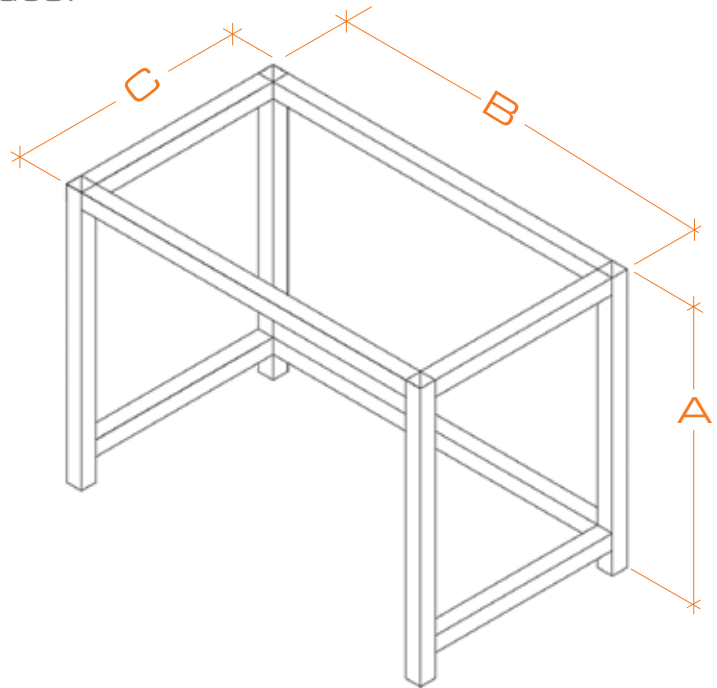
- Fully welded table frame made from steel tube
- Comes standard with cross bar at rear of table
- All exposed welds are ground smooth for superior finish & aesthetics

TABLE SIZES

Dimensions refer to steel frame Height, Width and Depth.

Counter top dimensions are not included, but typical to have 1" overhang on all sides.

| |
|-------------------------------|
| FRAME HEIGHT = A DIM |
| 29", 32", 35" |
| FRAME WIDTH = B DIM |
| 34", 46", 58", 70", 94", 118" |
| FRAME DEPTH = C DIM |
| 22", 28", 34", 46" |



PART NUMBERING SYSTEM

The example below shows a G2 Welded Table Frame that is 35"h x 70"w x 28"d.

WT357028

Welded
Table

Frame Width
34", 46", 58",
70", 94", 118"

Frame Height
29", 32", 35"

Frame Depth
22", 28", 34", 46"

WELDED WORKSTATIONS

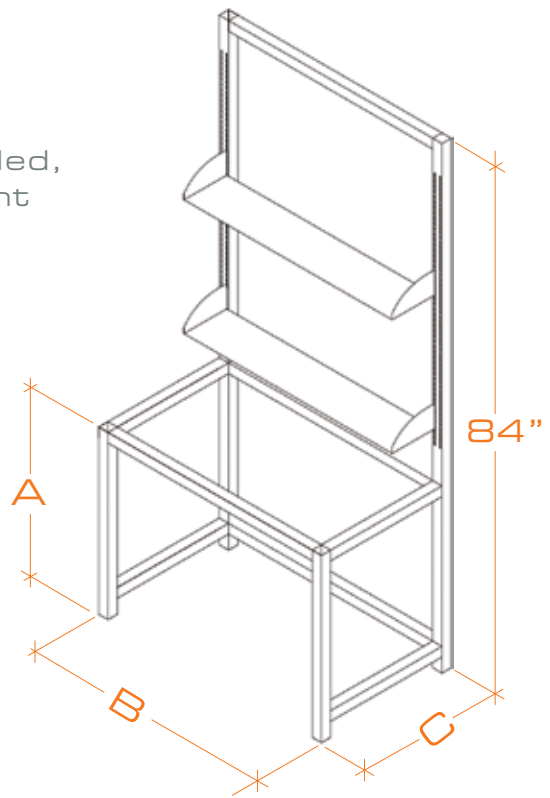
- Fully welded workstation made from steel tube
- Rear integral upright is 84”H, slotted for adjustable height shelving
- Each workstation comes standard with (2) tiers of shelving
- 94” workstations and larger require additional center upright
- Comes standard with welded upright at rear of table
- All exposed welds are ground smooth for superior finish & aesthetics

TABLE SIZES

Dimensions refer to steel frame Height, Width and Depth.

Counter top dimensions are not included, but typical to have 1” overhang on front and no overhang on back.

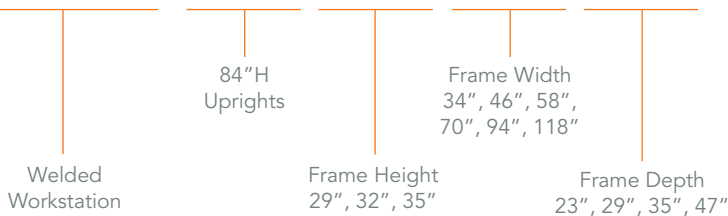
| UPRIGHT HEIGHT |
|-------------------------------|
| 84” |
| FRAME HEIGHT = A DIM |
| 29”, 32”, 35” |
| FRAME WIDTH = B DIM |
| 34”, 46”, 58”, 70”, 94”, 118” |
| FRAME DEPTH = C DIM |
| 23”, 29”, 35”, 47” |



PART NUMBERING SYSTEM

The example below shows a G2 Welded Workstation Frame with 84” uprights, 35”h x 70”w x 29”d.

WW84357029



COUNTER TOP MATERIALS

- With G2 tables it is typical for tables and workstations to have the same counter top as the rest of the lab.
- Choose from Phenolic, Epoxy Resin, Laminate, Stainless Steel, Butcher Block

HANGING CABINETS

- Frames can support G2 hanging cabinets

POWER STRIPS

- Extruded aluminum channels factory precut and wired to your specifications
- Select channel size, type and number of outlets
- Contact Genie for additional information



SHELF MATERIAL OPTIONS

- Workstations come standard with two-tier shelving
- Standard shelf bracket is bookend style, either 12", 15", 18" deep
- Option for lower shelf either half depth or full depth

| PART# & MATERIAL | THICKNESS | EDGE | NOTES |
|---------------------------------|-----------|-------------|---------------------|
| PRS = Phenolic Resin Shelf | 3/4" | Square Edge | Chemical Resistant |
| BBS = Butcher Block Shelf | 1 3/4" | Square Edge | Oil Rub Finish |
| ESDS = ESD Laminate Shelf | 1" | Square | Particle Board Core |
| LAMS = Standard Laminate Shelf | 1" | PVC | Particle Board Core |
| PCS = Powder Coated Steel Shelf | 1" 18ga | Square Edge | Core Matches Frame |
| SSS = Stainless Steel Shelf | 1" 18ga | Square Edge | T304 #4 Finish |



ADJUSTABLE HEIGHT LEGS

- Allows for 6" of manual height adjustment (requires socket wrench)
- Available with casters

Part #
ADJ30-36



CASTERS

- Plate caster with 1200lbs capacity (per set)
- All four casters are swivel and locking

Part #
CASTERS



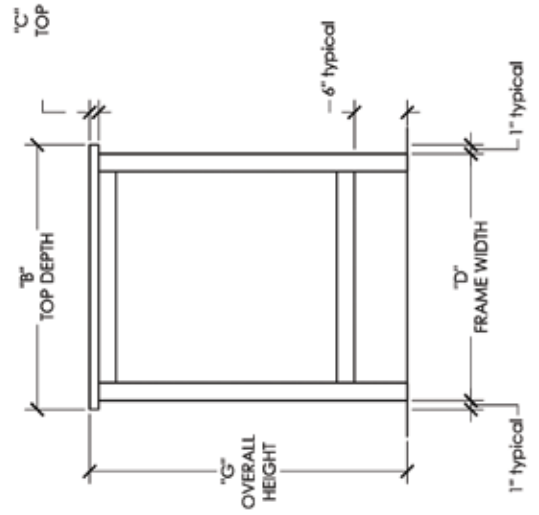
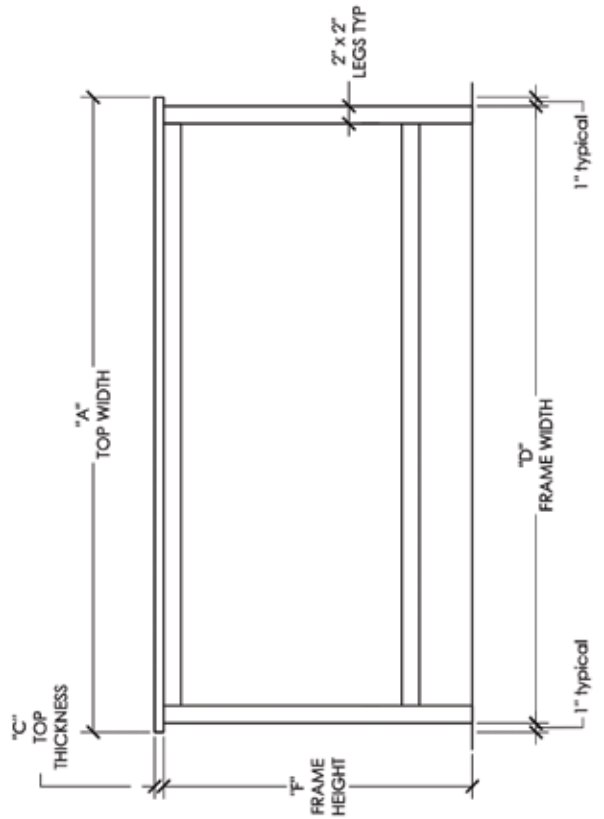
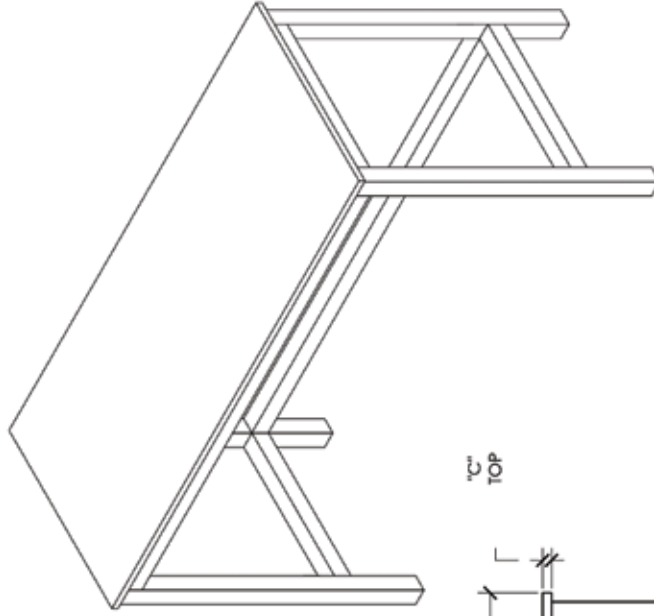
G2 Welded Table Frame:

Frame Material: 2"x2" 14ga Steel Tube

Counter Top:

Frame color:

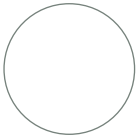
| QTY | "A" TOP WIDTH (INCHES) | "B" TOP DEPTH (INCHES) | "C" TOP THICKNESS (INCHES) | "D" FRAME WIDTH (INCHES) | "E" FRAME DEPTH (INCHES) | "F" FRAME HEIGHT (INCHES) | "G" OVERALL HEIGHT (INCHES) |
|-----|------------------------|------------------------|----------------------------|--------------------------|--------------------------|---------------------------|-----------------------------|
| | | | | | | | |
| | | | | | | | |
| | | | | | | | |





MADE IN THE USA

WHITE WHITE
wh121



ANTIQUÉ WHITE
wh16



BEIGE
bg02



SILK GRAY
ral7044



LIGHT GRAY
gr230



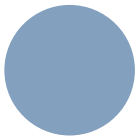
LIGHT GUNMETAL
gr10



GRAY BLUE
ral5008



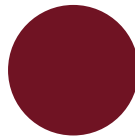
PASTEL BLUE
5024



BRILLIANT BLUE
5007



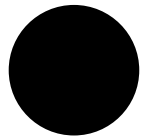
PURPLE RED
3004



TEXTURE SILVER
gr673



SEMI GLOSS BLACK
bk05



*The standard colors above are a representation only; color may vary slightly from finished product.
Powder coated steel samples are available upon request.

Genie Scientific, Inc.

☎ **800.545.8816** p 714.545.1838 f 714.641.0496

17430 Mt. Cliffwood Circle, Fountain Valley, CA 92708

www.geniescientific.com

MADE IN THE USA

