

fume hood

slimline model
bench type



- * deal direct with the manufacturer
- * chain driven - trouble free safety glass sash
- * phenolic upgraded liner - standard
- * one on one technical support
- * custom
- * visit our facility
- * ship crated nationwide



"chain driven"

The Genie Slimline bench-top chemical fume hood is Genie's central fume hood model ideal for all types of applications. The SL model sits atop a base cabinet(s) or stand on a 30" deep work surface and are the ideal enclosure for most experiments. The SL series are the most durable on the market with chain driven sash and steel superstructure construction.

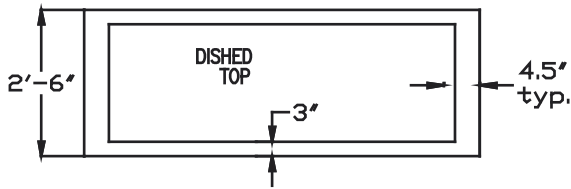


17430 MT. Cliffwood Circle - Fountain Valley, CA 92708
t. (800)545-8816 f. (714)641-0496 - www.geniescientific.com

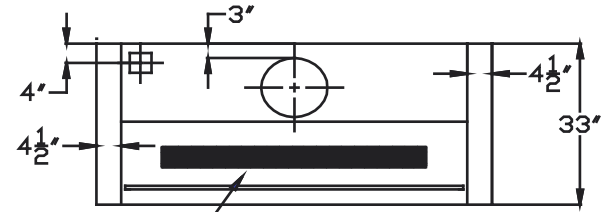
fume hood

bench type
slimline model

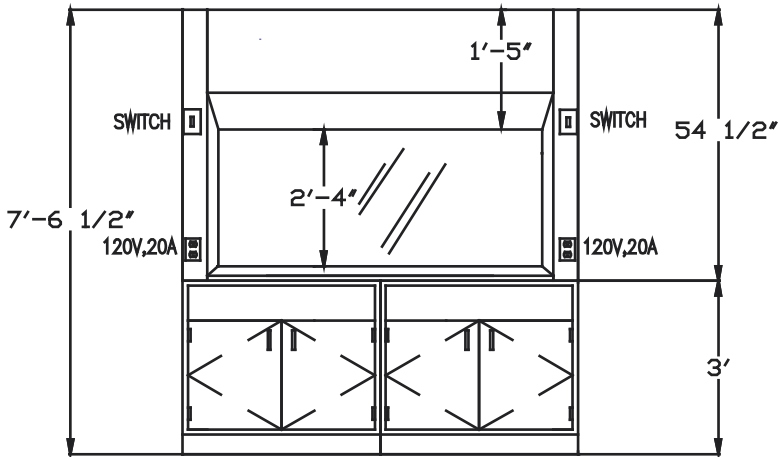
note: 8' fume hood and above include 2 collars



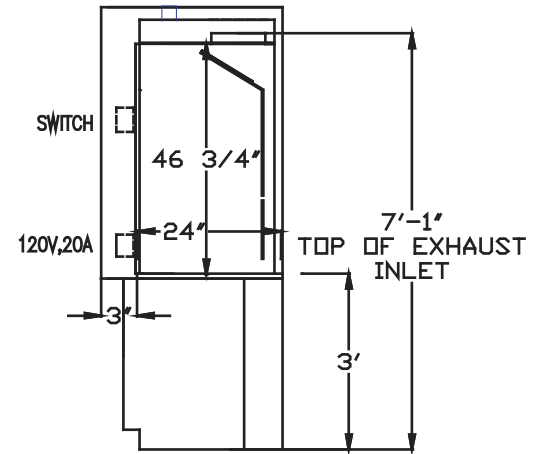
Note: - 4' and 5' hoods generally have one base cabinet



TOP VIEW



FRONT VIEW



SIDE VIEW

MODEL #	EXTERIOR DIMENSIONS			INTERIOR DIMENSIONS			FLUORESCENT LIGHT FIXTURE(S)	Suggested BASE CABINETS	Shipping Weight
	WIDTH	DEPTH	HEIGHT	WIDTH	DEPTH	SS COLLAR SIZE			
GENIE300-SL	36"	33"	54.5"	27"	24"	8" dia.	One	One 3'	375
GENIE400-SL	48"	33"	54.5"	39"	24"	10" dia.	One 3'	One 4'	475
GENIE500-SL	60"	33"	54.5"	51"	24"	10" dia.	One 3'	Two 30"	650
GENIE600-SL	72"	33"	54.5"	63"	24"	12" dia.	One 4'	Two 3'	725
GENIE800-SL	96"	33"	54.5"	87"	24"	Two 10" dia.	Two 3'	Two 4'	875

Custom Hood Sizes Available

features:

options:

- * chain driven safety glass sash
- * powder coated steel exterior
- * white phenolic resin liner
- * stainless steel collar(s)
- * 120v, 20amp duplex receptacle
- * two 20amp switches
- * vapor tight fluorescent light fixture

- * customization
- * base cabinets: acid, flammable, standard and vacuum
- * liners: resin, stainless steel, PVC, fiberglass, & polypropylene
- * built-in exhaust fan for 3' and 4' (call for specs)
- * 220v electrical
- * explosion proof electrical and lights
- * combo and split sash
- * remote service fixtures



"30 years experience"



17430 MT. Cliffwood Circle - Fountain Valley, CA 92708
t. (800)545-8816 f. (714)641-0496 - www.geniescientific.com