

fume hood

bench type
built-in fan
slimline model



built-in exhaust fan



- * 120v power cord - plug directly to wall
- * no electrician required
- * deal direct with the manufacturer
- * chain driven - trouble free safety glass sash
- * phenolic upgraded liner - standard
- * one on one technical support
- * custom
- * visit our facility
- * ship crated nationwide

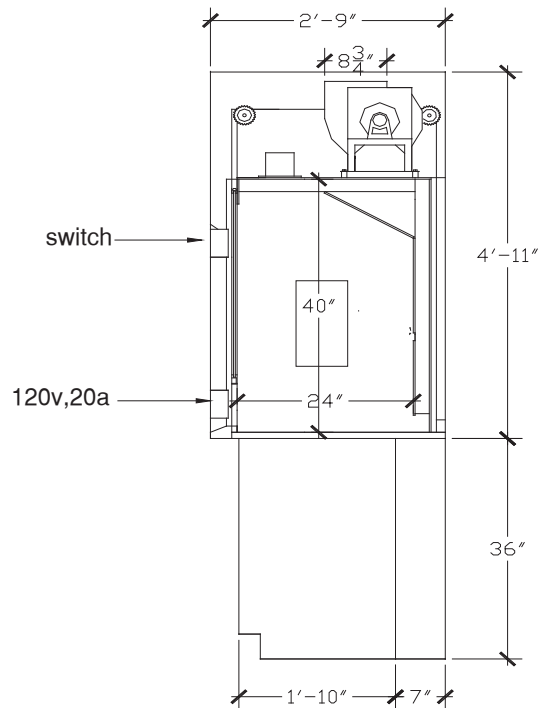
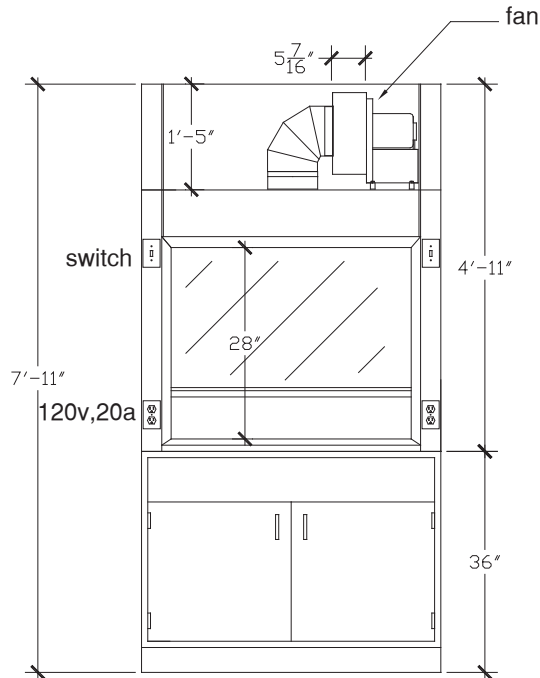
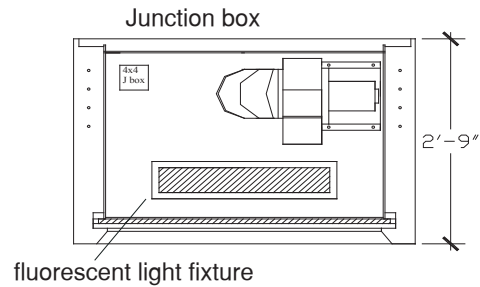
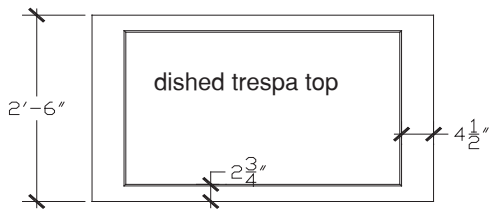


"30 years experience"



17430 MT. Cliffwood Circle - Fountain Valley, CA 92708
t. (800)545-8816 f. (714)641-0496 - www.geniescientific.com

fume hood
built-in fan
slimline model



MODEL #	EXTERIOR DIMENSIONS			INTERIOR DIMENSIONS			TWO TUBE LIGHT FIXTURE(S)	Suggested BASE CABINETS	Shipping Weight
	WIDTH	DEPTH	HEIGHT	WIDTH	DEPTH	COLLAR SIZE			
GE3FH-SL-B	36"	33"	59"	27"	26"	6"	One 2'	One 3'	375
GE4FH-SL-B	48"	33"	59"	39"	26"	8"	One 3'	One 4'	475

Optional Accessories:

- * Base cabinets: acid, flammable, standard and vacuum
- * Liners: stainless steel, PVC, fiberglass, resin and polypropelene
- * Remote service fixtures
- * duct adapter - square to round



17430 MT. Cliffwood Circle - Fountain Valley, CA 92708
t. (800)545-8816 f. (714)641-0496 - www.geniescientific.com